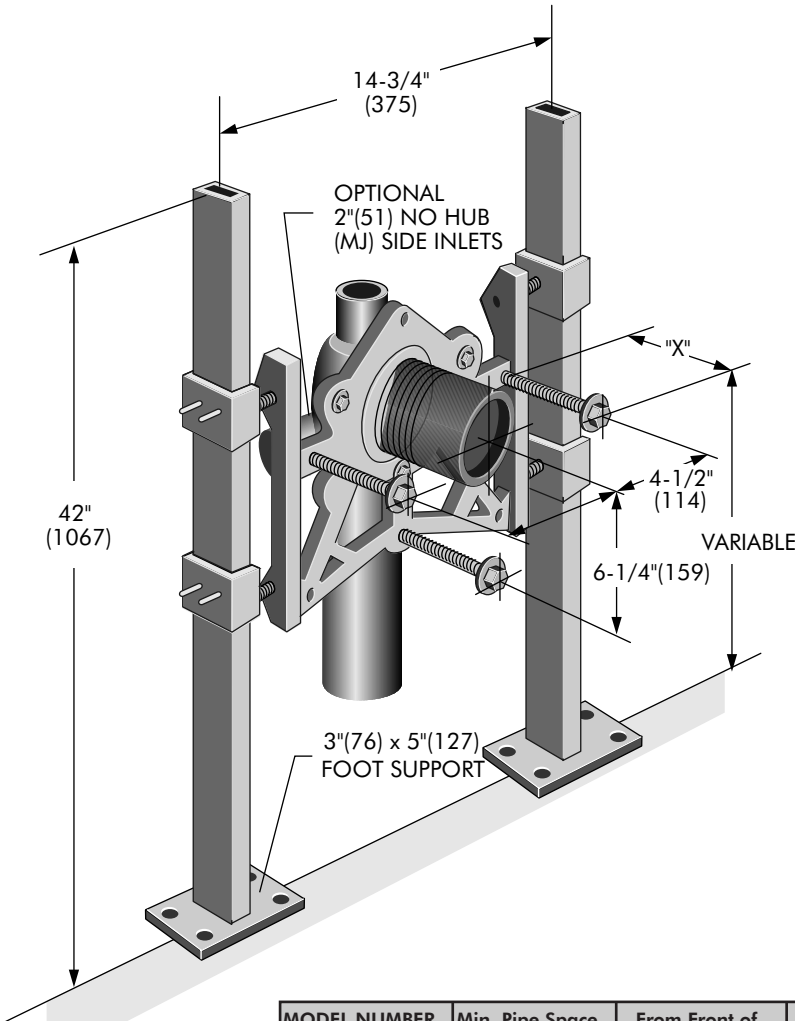


SPECIFICATION: Watts Drainage Products CA-550 floor mounted service sink carrier with heavy gauge steel uprights with integral welded feet, epoxy coated cast iron fitting, no hub (MJ) waste and no hub (MJ) vent connections, epoxy coated cast iron faceplate assembly, adjustable ABS nipple with integral test cap and neoprene gasket, plated hardware and chrome cap nuts.

FUNCTION: For installation with flushing rim siphon-jet or blow-out service sinks.



Order Code: **CA-550-3-**
OR CA-550-4-V2-
OR CA-550-4-V4-

Ex. CA-550-3-M55

Options (Select One or More)		
Suffix	Description	
-M51	Wall Thickness over 5" per add inch (single)	<input type="checkbox"/>
-M52	Wall Thickness over 12" per inch (Back to Back)	<input type="checkbox"/>
-M53	Vandal Proof Trim, Single	<input type="checkbox"/>
-M59	Floor to Ceiling Adaptor, Single	<input type="checkbox"/>
-M60	Valve Supporting Plate, Single	<input type="checkbox"/>
-M61	Valve Supporting Bar, Single	<input type="checkbox"/>
-M62	Flush Valve Piping Support, Single	<input type="checkbox"/>

BLOWOUT POSITION. FOR SIPHON-JET, INVERT FACE PLATE

"X" = 4-5/8" (117) MIN, 5-3/4" (146) MAX. WITH STANDARD COUPLING.
 1-1/4" (32) MIN. WITH SHORTENED COUPLING.
 FOR MAXIMUM DIMENSION SPECIFY M-51 AND SPECIFY "X" DIMENSION

MODEL NUMBER	Min. Pipe Space to Finished Wall	From Front of Face Plate to Back of Fitting	From Top of Fitting to Center of Coupling	From Center of Coupling Bottom of Fitting	Description
CA-550-3	5-5/8" (143)	5-1/4" (133)	3-3/4" (95)	14-1/2" (368)	3" (76) Waste, 2" (51) Vent
CA-550-4-V2	7-1/2" (191)	6-7/8" (175)	5-1/2" (140)	20" (508)	4" (102) Waste, 2" (51) Vent
CA-550-4-V4	7-1/2" (191)	6-7/8" (175)	4-1/2" (114)	20" (508)	4" (102) Waste, 4" (102) Vent

Job Name _____ Contractor _____

Job Location _____ Contractor's P.O. No. _____

Engineer _____ Representative _____

WATTS Drainage reserves the right to modify or change product design or construction without prior notice and without incurring any obligation to make similar changes and modifications to products previously or subsequently sold. See your WATTS Drainage representative for any clarification. Dimensions are subject to manufacturing tolerances.