



Tag: **CA-462**

Wall Mounted Concealed Arm Lavatory Carrier

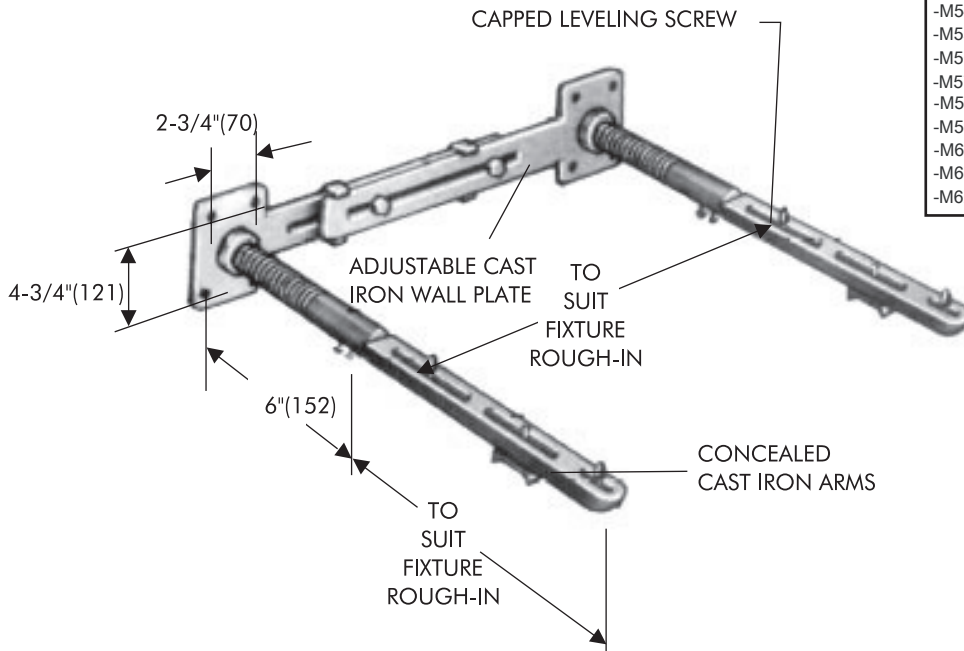
SPECIFICATION: Watts Drainage Products CA-462 concealed arm lavatory carrier with adjustable epoxy coated cast iron wall plate.

FUNCTION: Recommended for support of wall-hung lavatories.

Order Code: CA-462-

Ex. CA-462-M55

Options (Select One or More)		
Suffix	Description	
-WC	Wheelchair Access Lavatory Extended Arms	<input type="checkbox"/>
-M51	Wall Thickness over 5", per add inch (single)	<input type="checkbox"/>
-M52	Wall Thickness over 12", per inch (Back to Back)	<input type="checkbox"/>
-M53	Vandal Proof Trim, Single	<input type="checkbox"/>
-M54	2" Chrome Plated Escutcheons, Single	<input type="checkbox"/>
-M55	4" Chrome Plated Escutcheons, Single	<input type="checkbox"/>
-M56	6" Chrome Plated Escutcheons, Single	<input type="checkbox"/>
-M57	2" Cast Bronze Escutcheons, Single	<input type="checkbox"/>
-M58	6" Cast Bronze Escutcheons, Single	<input type="checkbox"/>
-M59	Floor to Ceiling Adaptor, Single	<input type="checkbox"/>
-M60	Valve Supporting Plate, Single	<input type="checkbox"/>
-M61	Valve Supporting Bar, Single	<input type="checkbox"/>
-M62	Flush Valve Piping Support, Single	<input type="checkbox"/>



Job Name _____

Contractor _____

Job Location _____

Contractor's P.O. No. _____

Engineer _____

Representative _____

Watts product specifications in U.S. customary units and metric are approximate and are provided for reference only. For precise measurements, please contact Watts Technical Service. Watts reserves the right to change or modify product design, construction, specifications, or materials without prior notice and without incurring any obligation to make such changes and modifications on Watts products previously or subsequently sold.

USA: Tel: (800) 338-2581 • Fax: (828) 248-3929 • Watts.com
Canada: Tel: (905) 332-4090 • Fax: (905) 332-7068 • Watts.ca
Latin America: Tel: (52) 81-1001-8600 • Fax: (52) 81-8000-7091 • Watts.com



A Watts Water Technologies Company