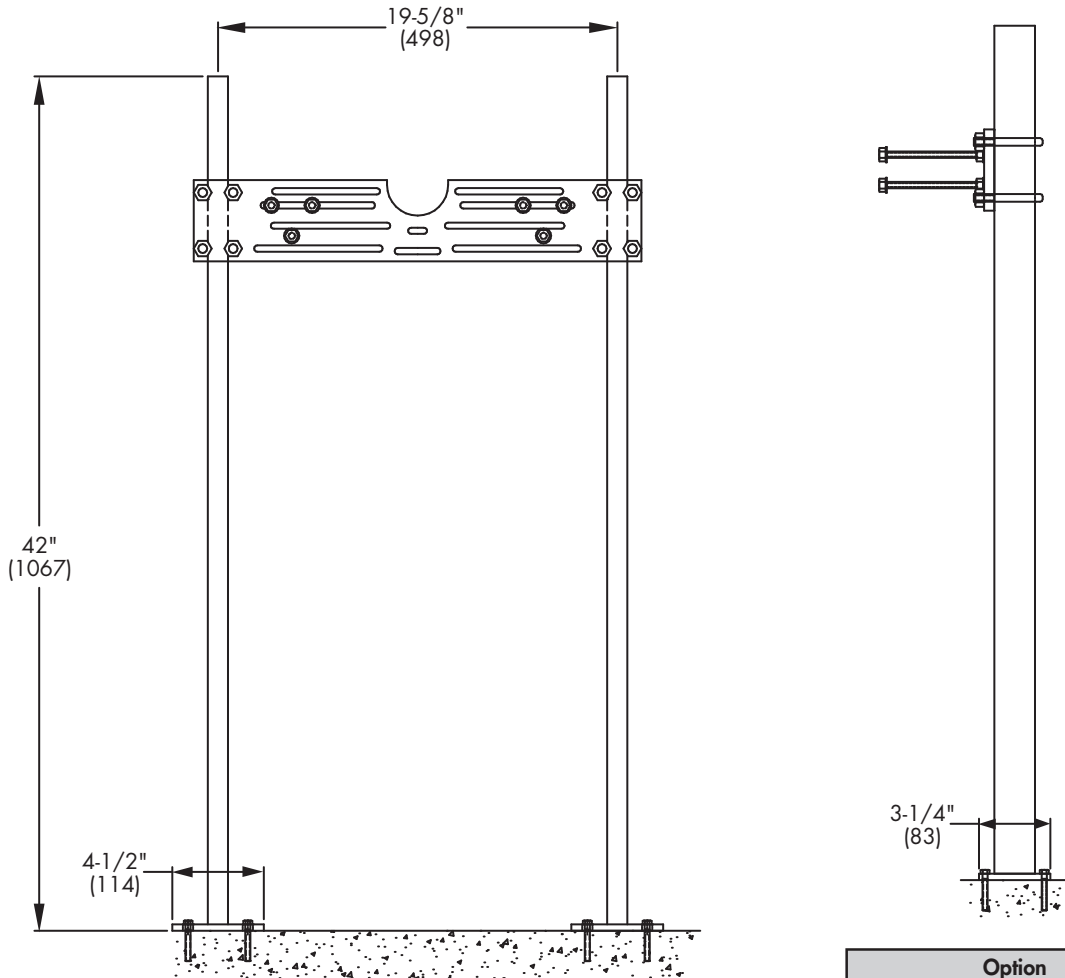




Tag: **CA-421**

Floor Mounted Plate Type Lavatory/Water Cooler Carrier

SPECIFICATION: Watts Drainage CA-421 floor mounted plate type lavatory or water cooler carrier with heavy gauge steel uprights with integral welded feet, universal steel hanger support plate, and plated hardware.



Note: Anchor legs to concrete floor with minimum 1/2" (13) anchor bolts (by others).

Option	
Suffix	Description
-2	Lower Support Plate <input type="checkbox"/>
-M60	Valve Support Plate <input type="checkbox"/>
-US	Buy American Compliant <input type="checkbox"/>

Job Name _____ Contractor _____

Job Location _____ Contractor's P.O. No. _____

Engineer _____ Representative _____

WATTS Drainage reserves the right to modify or change product design or construction without prior notice and without incurring any obligation to make similar changes and modifications to products previously or subsequently sold. See your WATTS Drainage representative for any clarification. Dimensions are subject to manufacturing tolerances.



Specification Drainage Products

USA: 100 Watts Road, Spindale, NC, 28160-2298; TEL: 828-288-2179 TOLL-FREE: 1-800-338-2581 www.watts.com