



CA-421

Tag: _____

**Floor Mounted Plate Type
Lavatory/Water Cooler Carrier**

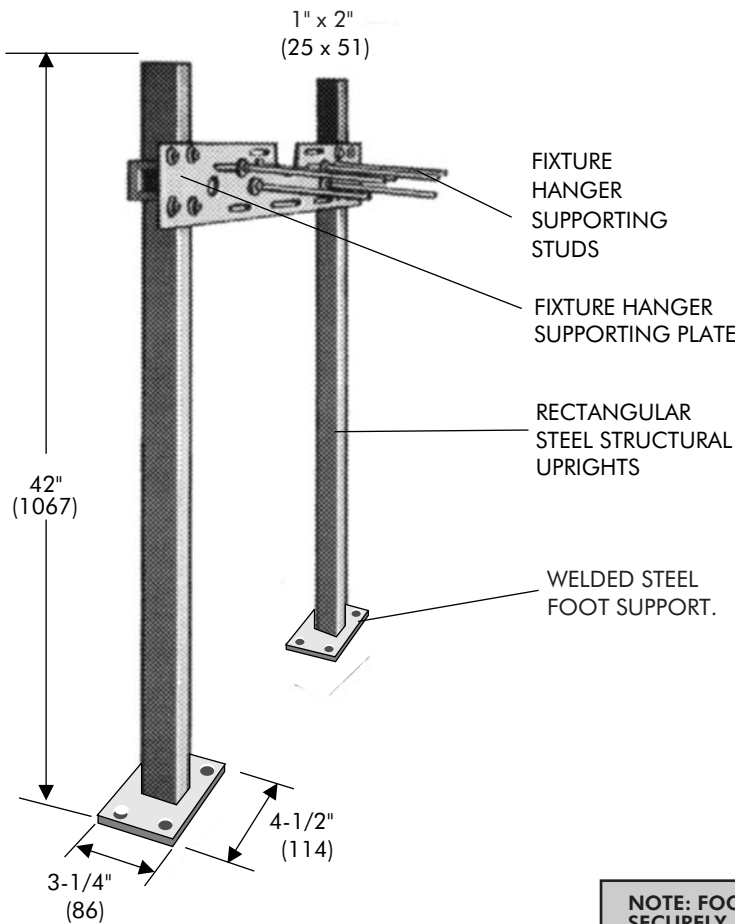
SPECIFICATION: Watts Drainage Products CA-421 fixture carrier with heavy duty foot support, heavy duty rectangular steel structural uprights and heavy duty fixture hanger supporting plate.

FUNCTION: Recommended for support of wall-hung fixtures independent of wall. Designed for use in conjunction with fixtures with hanger plate supplied by fixture manufacturer.

Order Code: **CA-421-**

Ex. CA-421-M51

Options (Select One or More)		
Suffix	Description	
-M51	Wall Thickness over 5" per add inch (single)	<input type="checkbox"/>
-M52	Wall Thickness over 12", per inch (Back to Back)	<input type="checkbox"/>
-M53	Vandal Proof Trim, Single	<input type="checkbox"/>
-M59	Floor to Ceiling Adaptor, Single	<input type="checkbox"/>
-M60	Valve Supporting Plate, Single	<input type="checkbox"/>
-M61	Valve Supporting Bar, Single	<input type="checkbox"/>
-M62	Flush Valve Piping Support, Single	<input type="checkbox"/>



NOTE: FOOT SUPPORTS SHOULD BE SECURELY ANCHORED TO FLOOR WITH 1/2" BOLTS AND ANCHORS BY OTHERS.

Job Name _____ Contractor _____

Job Location _____ Contractor's P.O. No. _____

Engineer _____ Representative _____

WATTS Drainage reserves the right to modify or change product design or construction without prior notice and without incurring any obligation to make similar changes and modifications to products previously or subsequently sold. See your WATTS Drainage representative for any clarification. Dimensions are subject to manufacturing tolerances.



CANADA: 5435 North Service Road, Burlington, ON, L7L 5H7 TEL: 905-332-6718 TOLL-FREE: 1-888-208-8927 Website: www.wattsdrainage.ca

