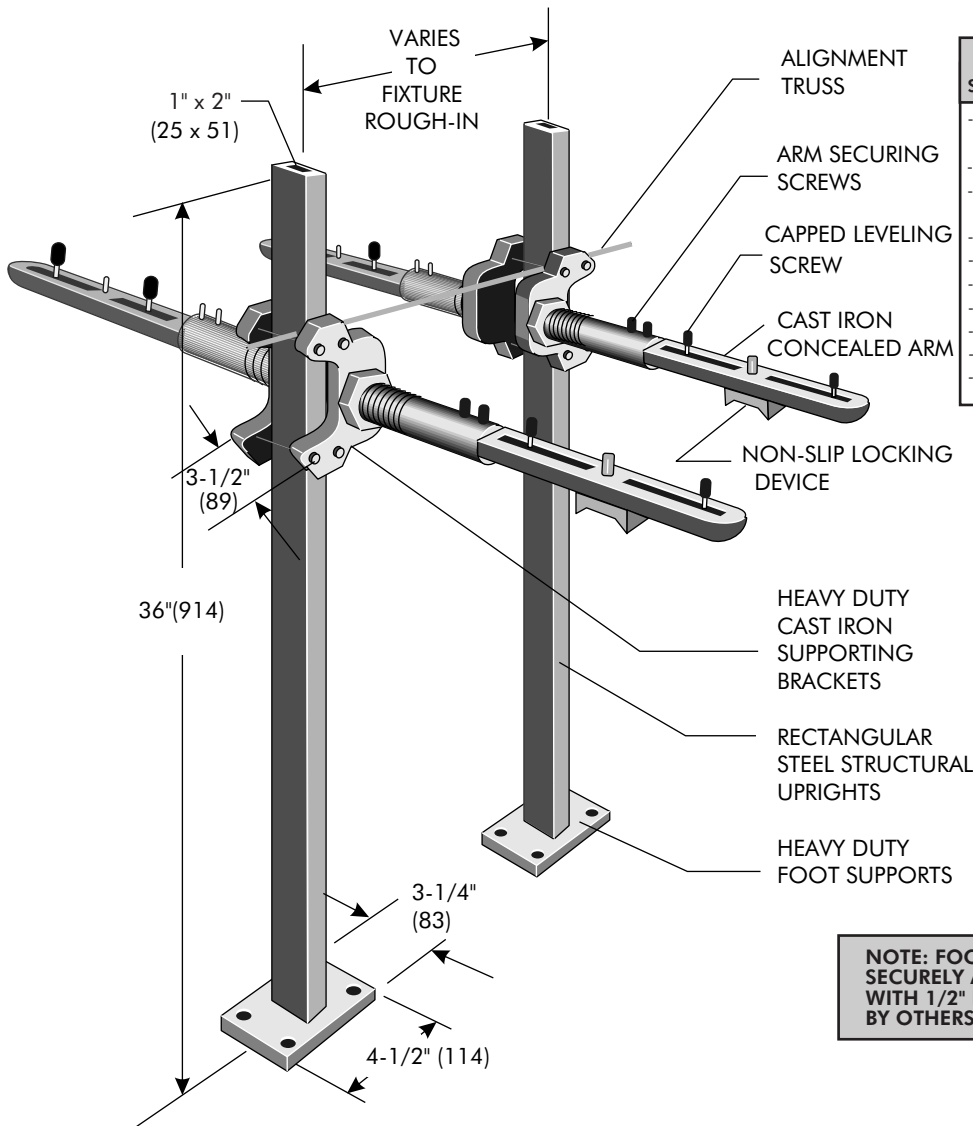


SPECIFICATION: Watts Drainage Products CA-411-D/CA-411-D-WC back-to-back floor mounted concealed arm lavatory carrier with heavy gauge steel uprights with integral welded feet, adjustable epoxy coated cast iron arms with levelling screws and basin locking device, upper tie rod, and plated hardware.

FUNCTION: Recommended for installation where added security of an independent foot supported carrier is required for lavatories designed for installation with concealed arms.

Order Code: **CA-411-D-**

Ex. CA-411-D-M55



Options (Select One or More)		
Suffix	Description	
-WC	Wheelchair Access	<input type="checkbox"/>
	Lavatory Extended Arms (42" Legs)	<input type="checkbox"/>
-M42	42"(1067) Long Carrier Leg	<input type="checkbox"/>
-M51	Wall Thickness over 5", per add inch (single)	<input type="checkbox"/>
-M53	Vandal Proof Trim, Single	<input type="checkbox"/>
-M54	2" Chrome Plated Escutcheons, Single	<input type="checkbox"/>
-M55	4" Chrome Plated Escutcheons, Single	<input type="checkbox"/>
-M56	6" Chrome Plated Escutcheons, Single	<input type="checkbox"/>
-M59	Floor to Ceiling Adaptor, Single	<input type="checkbox"/>
-M60	Valve Supporting Plate, Single	<input type="checkbox"/>
-M61	Valve Supporting Bar, Single	<input type="checkbox"/>

NOTE: FOOT SUPPORTS SHOULD BE SECURELY ANCHORED TO FLOOR WITH 1/2" BOLTS AND ANCHORS BY OTHERS.

Job Name _____ Contractor _____

Job Location _____ Contractor's P.O. No. _____

Engineer _____ Representative _____

WATTS Drainage reserves the right to modify or change product design or construction without prior notice and without incurring any obligation to make similar changes and modifications to products previously or subsequently sold. See your WATTS Drainage representative for any clarification. Dimensions are subject to manufacturing tolerances.