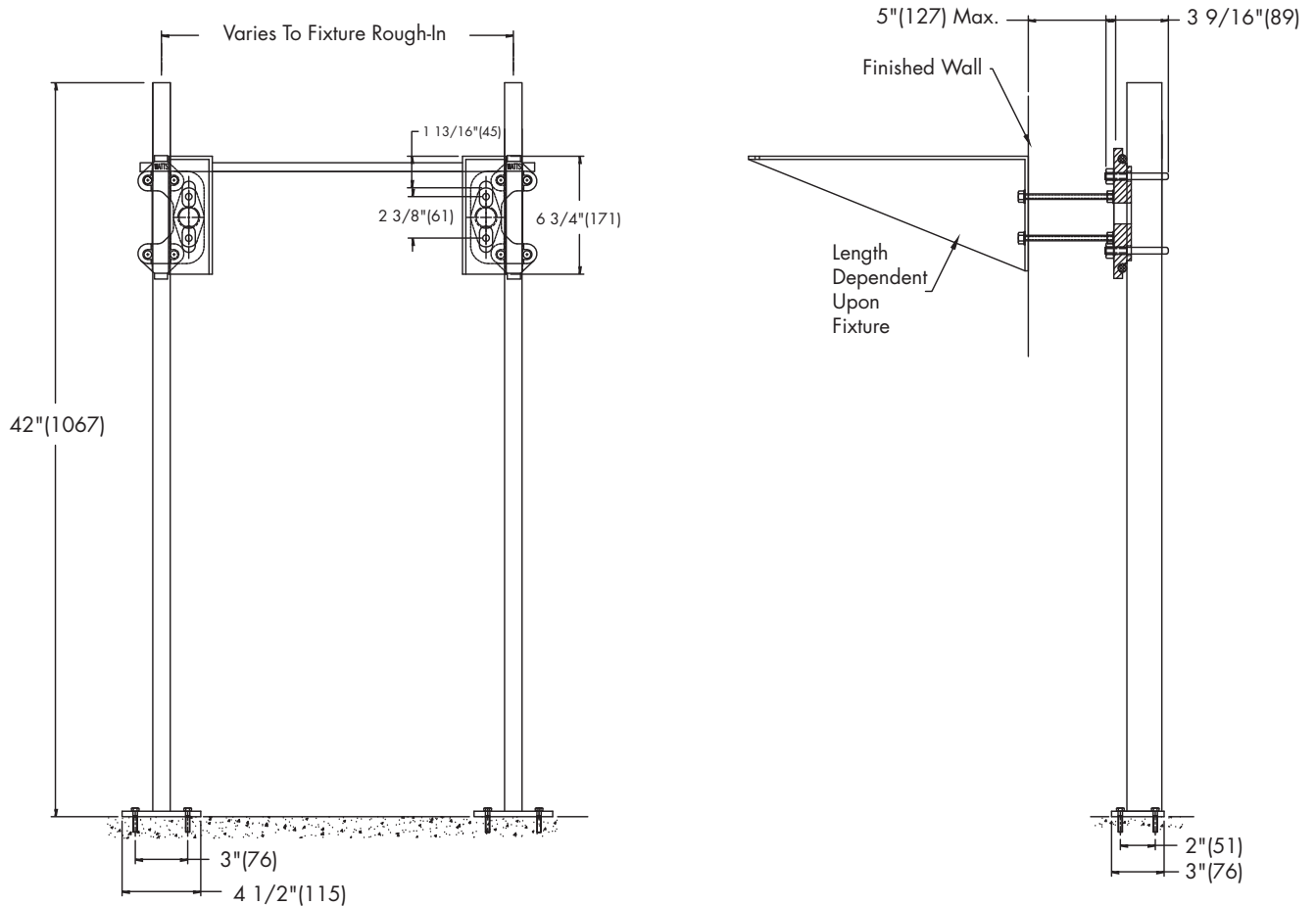




CA-401
Tag: _____

Floor Mounted Lavatory Carrier with Exposed Arms

SPECIFICATION: Watts Drainage CA-401 floor mounted exposed arm lavatory carrier with heavy gauge steel uprights with integral welded feet, epoxy coated steel arms (specify length), upper tie rod, and plated hardware.



NOTICE

Anchor legs to concrete floor with minimum 1/2" (13) anchor bolts (by others).

Option	
Suffix	Description
-US	Buy American Compliant <input type="checkbox"/>

Job Name _____

Contractor _____

Job Location _____

Contractor's P.O. No. _____

Engineer _____

Representative _____

Watts product specifications in U.S. customary units and metric are approximate and are provided for reference only. For precise measurements, please contact Watts Technical Service. Watts reserves the right to change or modify product design, construction, specifications, or materials without prior notice and without incurring any obligation to make such changes and modifications on Watts products previously or subsequently sold.

USA: Tel: (800) 338-2581 • Fax: (828) 248-3929 • Watts.com
Canada: Tel: (905) 332-4090 • Fax: (905) 332-7068 • Watts.ca
Latin America: Tel: (52) 81-1001-8600 • Fax: (52) 81-8000-7091 • Watts.com

