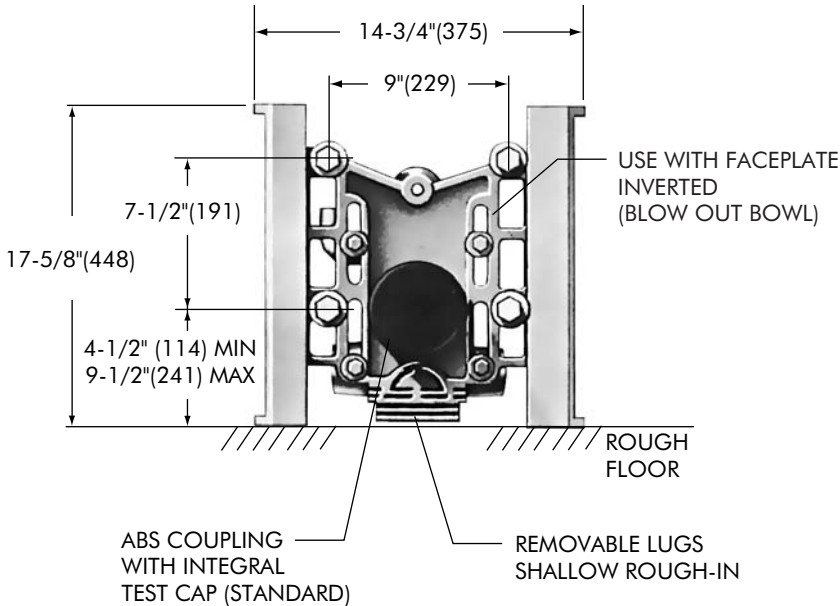


SPECIFICATION: Watts Drainage Products CA-201 closet carrier with face plate and foot supports invertible for Siphon jet or Blow-out water closets.

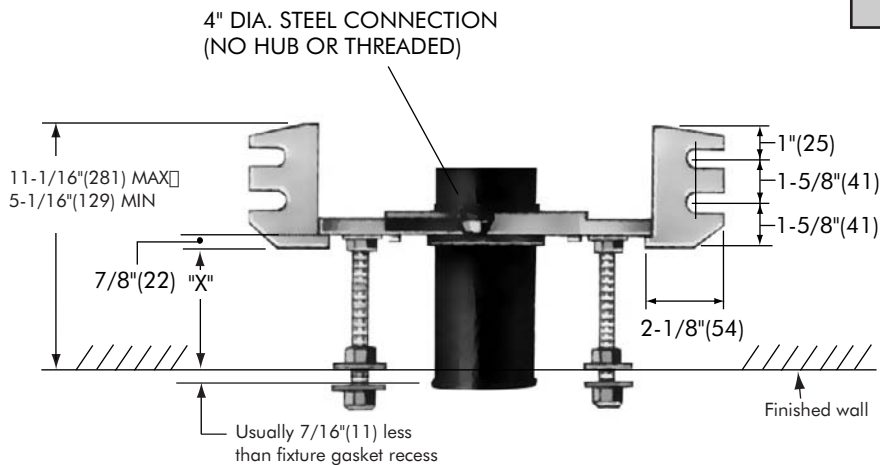


Carrier Replacement Parts	
Suffix	Description
CA-1G	Neoprene Closet Gasket <input type="checkbox"/>
CAP-NUTS	Set (4) Chrome Plate Cap Nuts & Washers <input type="checkbox"/>
M1	Extended Plastic Coupling 7"-14" <input type="checkbox"/>
M2	Extended Plastic Coupling 14"-22" <input type="checkbox"/>
M3	Extended Cast Coupling 7" <input type="checkbox"/>
M4	Extended Cast Coupling 7"-14" <input type="checkbox"/>
M5	Extended Cast Coupling 14"-22" <input type="checkbox"/>
M11	Finishing (tiling) Frame <input type="checkbox"/>
M12	Rear Support Anchor <input type="checkbox"/>
M16	Vandal Proof Hardware <input type="checkbox"/>
M20	Flush Valve Support <input type="checkbox"/>
M30	Special Faceplate w/ Grab Bar Supports <input type="checkbox"/>
M66	Auxiliary Coupling Support (Recommended for Length over 12") <input type="checkbox"/>

SIPHON JET(4 BOLT) ARRANGEMENT SHOWN. FOR BLOW OUT, (3 BOLT) INVERT FACEPLATE.

**"X" = 6-13/16"(173) MAXIMUM
13/16"(21) MINIMUM**

STANDARD COUPLING WILL NEED TO BE TRIMMED FOR "X" DIMENSIONS LESS THAN 5-13/16"(148)



Job Name _____ Contractor _____

Job Location _____ Contractor's P.O. No. _____

Engineer _____ Representative _____

WATTS Drainage reserves the right to modify or change product design or construction without prior notice and without incurring any obligation to make similar changes and modifications to products previously or subsequently sold. See your WATTS Drainage representative for any clarification. Dimensions are subject to manufacturing tolerances.