

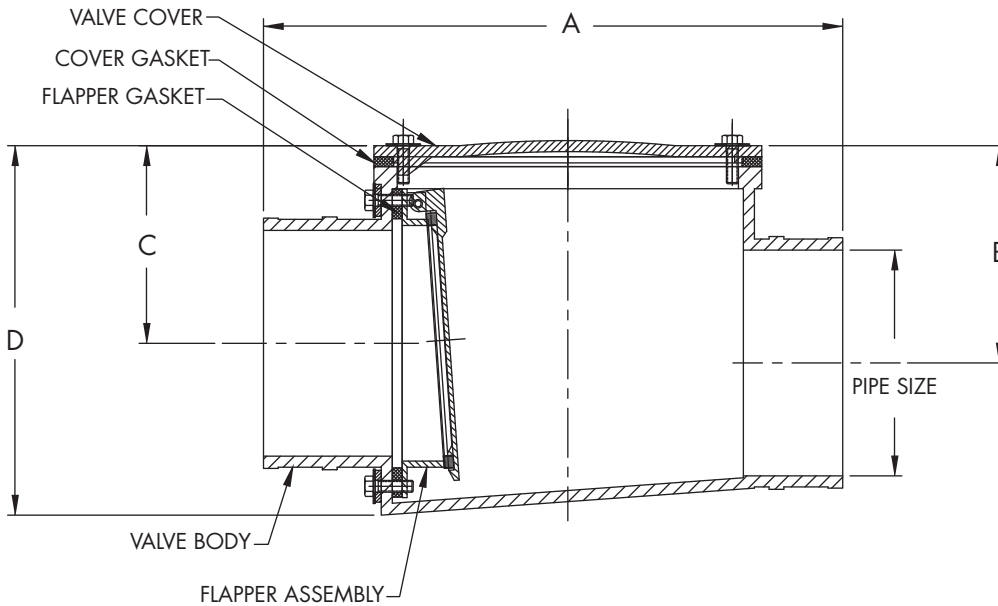


Tag: **BV-200**

### Cast Iron "In-Line" Backwater Valve

**SPECIFICATION:** Watts Drainage BV-200 cast iron backwater valve with gasketed cover, bronze seat and flapper, and no hub connections.

Pipe Sizing (Select One)		
Suffix	Description	
3	3"(76) Connection Size	<input type="checkbox"/>
4	4"(102) Connection Size	<input type="checkbox"/>
6	6"(152) Connection Size	<input type="checkbox"/>



Pipe Size	A	B	C	D
3"(76)	11-5/8"(294)	4-3/16"(107)	3-3/4"(94)	6-1/2"(165)
4"(102)	12"(305)	4-3/8"(110)	3-7/8"(98)	7-1/4"(184)
6"(152)	14-3/4"(375)	5-1/2"(140)	5"(127)	9-3/8"(238)

Job Name \_\_\_\_\_

Contractor \_\_\_\_\_

Job Location \_\_\_\_\_

Contractor's P.O. No. \_\_\_\_\_

Engineer \_\_\_\_\_

Representative \_\_\_\_\_

Watts product specifications in U.S. customary units and metric are approximate and are provided for reference only. For precise measurements, please contact Watts Technical Service. Watts reserves the right to change or modify product design, construction, specifications, or materials without prior notice and without incurring any obligation to make such changes and modifications on Watts products previously or subsequently sold.



A Watts Water Technologies Company

USA: Tel: (800) 338-2581 • Fax: (828) 248-3929 • Watts.com

Canada: Tel: (905) 332-4090 • Fax: (905) 332-7068 • Watts.ca

Latin America: Tel: (52) 81-1001-8600 • Fax: (52) 81-8000-7091 • Watts.com