

For Point-of-Use Water Applications

Job Name _____

Contractor _____

Job Location _____

Approval _____

Engineer _____

Contractor's P.O. No. _____

Approval _____

Representative _____

LEAD FREE*

Series 10 Quick-Connect Tees

Watts Quick-Connect Tees are designed and manufactured for many years of trouble free service. Produced of off white polypropylene, a high performance thermoplastic material, the Watts Quick-Connect design allows for quick and easy connections without the use of installation tools.

Specifications

Connection shall be made using Watts Series 10 Quick-Connect fitting with Integral Collet and O-Ring Guide. Fitting shall be able to fully rotate under pressure and allow easy disconnect and reuse without the use of disconnection tools. Fitting must not disassemble to disconnect.

Approvals

- Listed by the National Sanitation Foundation to NSF Standard 61 for use in potable water systems



Ratings

150psi @ 70°F (10 bar @ 20°C)

60psi @ 140°F (4 bar @ 60°C) Min. 33°F (1°C)

Example

1024RB-04

10 = Series 10

24 = Reducing Tee

R = Reducing

B = Bag

060604 = 3/8" OD x 3/8" OD x 1/4" OD



1023B



1024RB

Caution: The polypropylene material used in the Quick-Connect fittings can be compromised by exposure to volatile organic compounds (VOC's) and caustic chemicals. Therefore, **DO NOT** expose this product to any such chemical or foreign substance, which would include exposure to the following products: **Pipe Dopes (thread sealants)**, bug sprays, lubricants, cleaners, paints, bleaches, acids, solder fluxes, plastic piping primers and cements, oxidizing agents, alkaline solutions, thinners, fuels, oil based caulks, hydrocarbons, spray foam or foaming agents (insulation).

*The wetted surface of this product contacted by consumable water contains less than one quarter of one percent (0.25%) of lead by weight.

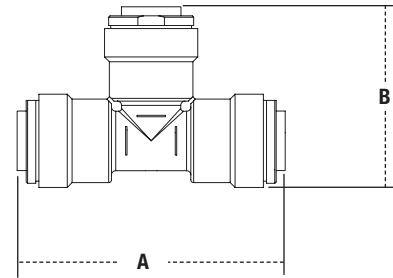
Watts product specifications in U.S. customary units and metric are approximate and are provided for reference only. For precise measurements, please contact Watts Technical Service. Watts reserves the right to change or modify product design, construction, specifications, or materials without prior notice and without incurring any obligation to make such changes and modifications on Watts products previously or subsequently sold.

WATTS®

Dimensions – Weights approx. (tolerance +/- 1/8")

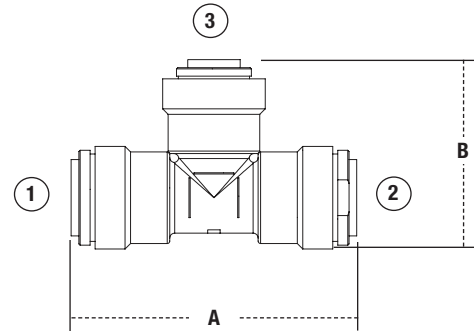
Type 23 Union Tee

MODEL	SIZE & CONNECTION	ITEM LENGTH		ITEM HEIGHT		ITEM WEIGHT	
		A <i>in.</i>	<i>mm</i>	B <i>in.</i>	<i>mm</i>	<i>lbs.</i>	<i>kg.</i>
1023B-04	1/4" OD	1 7/8	47	1 1/4	32	0.30	8.50
1023B-06	3/8" OD	2 1/4	57	1 9/16	39	0.50	14.17
1023B-08	1/2" OD	2 5/8	66	1 13/16	45	0.80	22.68



Type 24R Reducing Tee

MODEL	SIZE & CONNECTION			ITEM LENGTH		ITEM HEIGHT		ITEM WEIGHT	
	①	②	③	A <i>in.</i>	<i>mm</i>	B <i>in.</i>	<i>mm</i>	<i>lbs.</i>	<i>kg.</i>
1024RB-060604	3/8" OD	3/8" OD	1/4" OD	2 1/4	57	1 1/2	38	0.50	14.17
1024RB-080806	1/2" OD	1/2" OD	3/8" OD	2 5/8	66	1 13/16	45	0.80	22.68



A Watts Water Technologies Company

