

**HYDROGUARD® XP Hi/Lo Master Tempering Valves
Supply Fixture Series SH1430
Bottom Inlets/Top Outlet – Wall Mounted Cabinet**

Product Specification

Features ■

- Paraffin-based advanced thermal actuation technology to sense and adjust outlet temperature
- Dirt and lime resistant poppet and seat design
- Virtual shutoff if supply pressure fails
- Vandal-resistant locking mechanism to secure temperature setting
- Stainless steel or white painted cabinets
- Factory tested valve and piping
- Rotatable union triple-duty checkstops with filters, dial-thermometer, ball valve
- Rough bronze and chrome finishes

Specifications ■

- Connections See chart on reverse
- Maximum Hot Water Supply Temperature 200°F (93°C)
- Minimum Hot Water Supply Temperature* . . . 5°F (3°C) above set point
- Minimum Flow** 0.5 gpm (1.9 lpm)
- Maximum Operating Pressure 125psi (861 kPa)
- Temperature Adjustment Range*** Standard 90 – 160°F (32 – 71°C)
Low 60 – 90°F (16 – 32°C)
- Hot Water Inlet Temperature Range 120 – 180°F (49 – 82°C)
- Cold Water Inlet Temperature Range 40 – 80°F (4 – 27°C)
- Listing/Compliance–Valve Only..... ASSE 1017, CSA B125

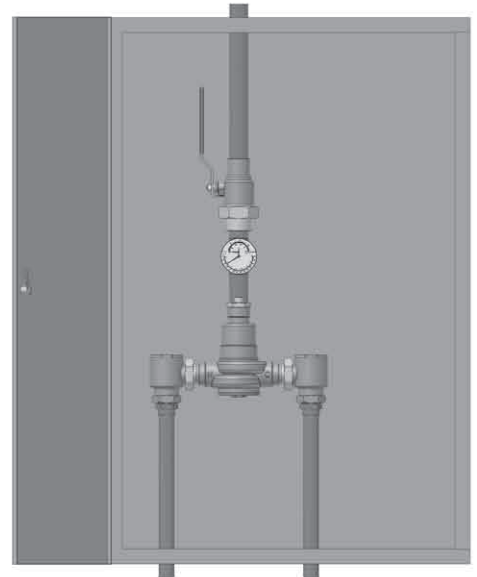
**With equal pressure*

***Minimum flow when the valve is installed at or near hot water source w/recirculated tempered water with a properly sized continuously operating recirculating pump*

****Note: Low limit cannot be less than the cold water temperature. For best operation, hot water should be at least 5°F (3°C) above desired set point.*

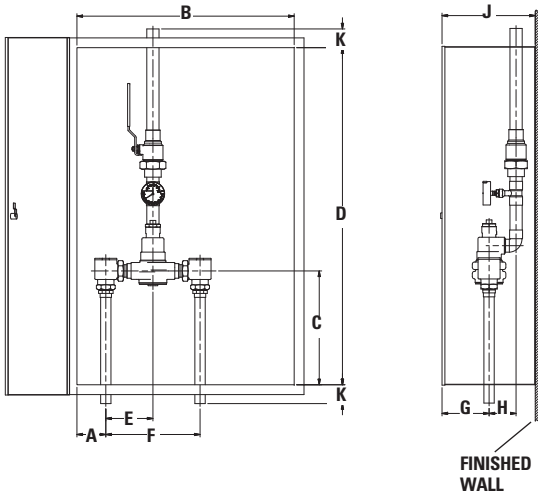
Capacity ■

| Flow Capacity at 50-50 Mixed Ratio | | | | | | | | |
|------------------------------------|------------------------|-------|----------------------------|----------------|-----------------|-----------------|-----------------|-----------------|
| Model | Min. Flow to ASSE 1017 | Cv | Pressure Drop Across Valve | | | | | |
| | | | 5psi (34 kPa) | 10psi (69 kPa) | 20psi (138 kPa) | 30psi (207 kPa) | 45psi (310 kPa) | 60psi (414 kPa) |
| SH1432 | 1 gpm | 8.54 | 19 gpm | 27 gpm | 38 gpm | 47 gpm | 57 gpm | 66 gpm |
| | 4 lpm | | 72 lpm | 102 lpm | 144 lpm | 178 lpm | 216 lpm | 250 lpm |
| SH1434 | 1 gpm | 19.00 | 42 gpm | 60 gpm | 85 gpm | 104 gpm | 127 gpm | 147 gpm |
| | 4 lpm | | 159 lpm | 227 lpm | 322 lpm | 394 lpm | 481 lpm | 556 lpm |
| SH1435 | 5 gpm | 30.00 | 67 gpm | 95 gpm | 134 gpm | 164 gpm | 201 gpm | 232 gpm |
| | 19 lpm | | 254 lpm | 360 lpm | 507 lpm | 621 lpm | 761 lpm | 878 lpm |



Advanced Thermal Activation

Dimensions ■

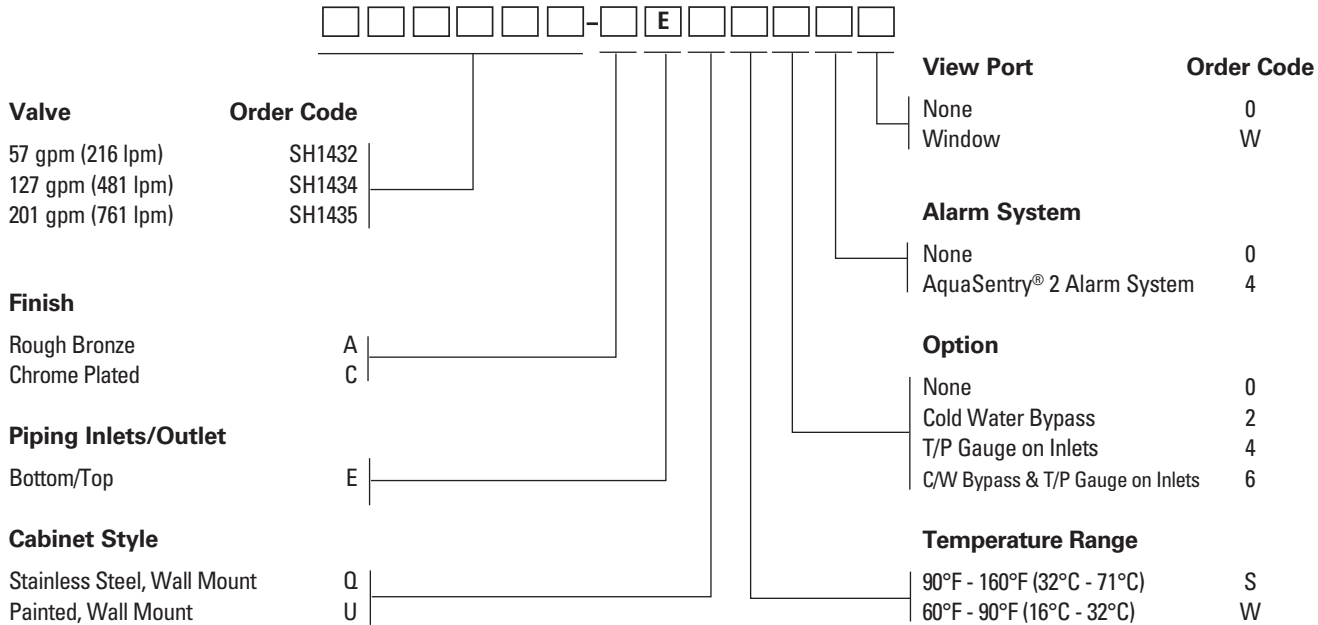


| Valve | A | B | C | D | E | F | G | H | J | K |
|--------|--------|-------|---------|---------|--------|---------|--------|--------|-------|--------|
| SH1432 | 3-1/2" | 20" | 9-1/4" | 36" | 4-5/8" | 9-1/4" | 4-5/8" | 2-3/4" | 9" | 2" |
| | (89) | (508) | (235) | (914) | (117) | (235) | (117) | (70) | (229) | (51) |
| SH1434 | 3-7/8" | 29" | 10-1/4" | 45" | 6-1/4" | 12-1/2" | 5-7/8" | 3-5/8" | 12" | 2-1/2" |
| | (98) | (737) | (260) | (1143) | (159) | (318) | (149) | (92) | (305) | (64) |
| SH1435 | 4-1/8" | 38" | 13-5/8" | 55-3/4" | 7-7/8" | 15-3/4" | 6" | 4-1/4" | 13" | 2-1/2" |
| | (105) | (965) | (346) | (1416) | (200) | (400) | (152) | (108) | (330) | (64) |

Note:
Dimensions are shown $\pm 1/2''$
Dimensions in parentheses are in mm

| Valve | Inlets | Outlet |
|--------|----------------|----------------|
| SH1432 | 3/4" (20) | 1" (25) |
| SH1434 | 1-1/4" (32) | 1-1/2" (40) |
| SH1435 | 2" (50) | 2" (50) |

Ordering Information ■



Recirculation Piping Diagram ■

Please see Piping Diagram Section of this catalog.

Typical Specification ■

Cabinet Supply Fixture (CSF) shall be factory assembled and tested and include a stainless steel or painted steel cabinet. CSF shall feature a HydroGuard® XP SH1430 series single-valve hi/lo with advanced paraffin-based actuation technology. CSF shall also include copper piping, ball valve(s) and temperature/pressure gauge for diagnostics. The tempering valve shall have union check stops, an outlet temperature range of 90 – 160°F (32° - 71°C) (with lockable means), a single seat design for positive shutoff and an approach temperature of 5°F (3°C). Minimum flows to ASSE 1017 shall be SH1432 (1.0 gpm, 4 lpm), SH1434 (1.0 gpm, 4 lpm), SH1435 (5.0 gpm, 19 lpm).

Valve shall be a Powers model _____. All alternatives must have written approval prior to bidding.

ENGINEERING APPROVAL

Project: _____
Contractor: _____
Architect/Engineer: _____



ISO 9001-2000
CERTIFIED

POWERS™

A Watts Water Technologies Company

USA: Phone: 1.800.669.5430 • Fax 1.847.229.0526 • www.powerscontrols.com
Canada: Phone: 1.888.208.8927 • Fax 1.888.479.2887 • www.powerscontrols.ca