

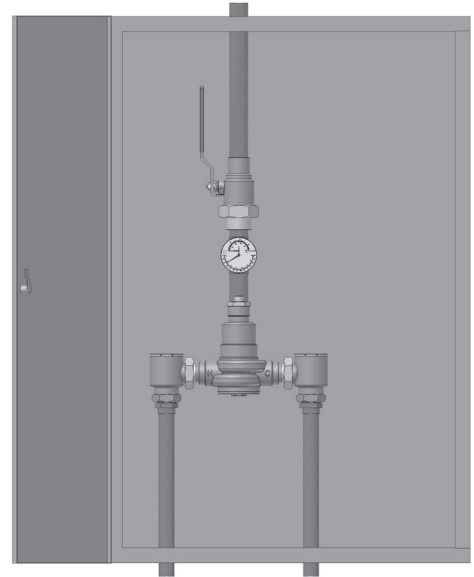
For Non-Health Hazard Applications

Job Name _____ Contractor _____
 Job Location _____ Approval _____
 Engineer _____ Contractor's P.O. No. _____
 Approval _____ Representative _____

LEAD FREE*
HydroGuard® XP Hi/Lo
Master Tempering Valves
 Supply Fixture Series LFSH1430
 Bottom Inlets/Top Outlet —
 Wall Mounted Cabinet

Features

- Features Lead Free* construction to comply with Lead Free* installation requirements.
- Paraffin-based advanced thermal actuation technology to sense and adjust outlet temperature
- Dirt and lime resistant poppet and seat design
- Virtual shutoff if supply pressure fails
- Vandal-resistant locking mechanism to secure temperature setting
- Stainless steel or white painted cabinets
- Factory tested valve and piping
- Rotatable union triple-duty checkstops with filters, dial-thermometer, ball valve
- Rough bronze and chrome finishes



Advanced Thermal Activation

Specifications

Connections	See chart on reverse
Maximum Hot Water Supply Temperature	200°F (93°C)
Minimum Hot Water Supply Temperature**	5°F (3°C) above set point
Minimum Flow***	0.5 gpm (1.9 lpm)
Maximum Operating Pressure	125 psi (861 kPa)
Temperature Adjustment Range****	Standard 90 – 160°F (32 – 71°C) Low 60 – 90°F (16 – 32°C)
Hot Water Inlet Temperature Range	120 – 180°F (49 – 82°C)
Cold Water Inlet Temperature Range	40 – 80°F (4 – 27°C)
Listing/Compliance—Valve Only	ASSE 1017, CSA B125

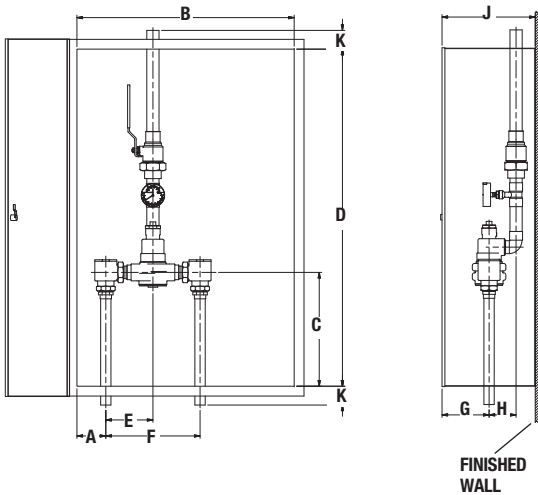
* The wetted surface of this product contacted by consumable water contains less than one quarter of one percent (0.25%) of lead by weight.
 ** With equal pressure
 *** Minimum flow when the valve is installed at or near hot water source w/ recirculated tempered water with a properly sized continuously operating recirculating pump
 **** Note: Low limit cannot be less than the cold water temperature. For best operation, hot water should be at least 5°F (3°C) above desired set point.

Capacity

Flow Capacity at 50-50 Mixed Ratio								
Model	Min. Flow to ASSE 1017	C _v	Pressure Drop Across Valve					
			5 psi (34 kPa)	10 psi (69 kPa)	20 psi (138 kPa)	30 psi (207 kPa)	45 psi (310 kPa)	60 psi (414 kPa)
LFSH1432	1 gpm	8.54	19 gpm	27 gpm	38 gpm	47 gpm	57 gpm	66 gpm
	4 lpm		72 lpm	102 lpm	144 lpm	178 lpm	216 lpm	250 lpm
LFSH1434	1 gpm	19.00	42 gpm	60 gpm	85 gpm	104 gpm	127 gpm	147 gpm
	4 lpm		159 lpm	227 lpm	322 lpm	394 lpm	481 lpm	556 lpm
LFSH1435	5 gpm	30.00	67 gpm	95 gpm	134 gpm	164 gpm	201 gpm	232 gpm
	19 lpm		254 lpm	360 lpm	507 lpm	621 lpm	761 lpm	878 lpm

Powers product specifications in U.S. customary units and metric are approximate and are provided for reference only. For precise measurements, please contact Powers Technical Service. Powers reserves the right to change or modify product design, construction, specifications, or materials without prior notice and without incurring any obligation to make such changes and modifications on Powers products previously or subsequently sold.

Dimensions



Valve	A	B	C	D	E	F	G	H	J	K
LFSH1432	3-1/2"	20"	9-1/4"	36"	4-5/8"	9-1/4"	4-5/8"	2-3/4"	9"	2"
	(89)	(508)	(235)	(914)	(117)	(235)	(117)	(70)	(229)	(51)
LFSH1434	3-7/8"	29"	10-1/4"	45"	6-1/4"	12-1/2"	5-7/8"	3-5/8"	12"	2-1/2"
	(98)	(737)	(260)	(1143)	(159)	(318)	(149)	(92)	(305)	(64)
LFSH1435	4-1/8"	38"	13-5/8"	55-3/4"	7-7/8"	15-3/4"	6"	4-1/4"	13"	2-1/2"
	(105)	(965)	(346)	(1416)	(200)	(400)	(152)	(108)	(330)	(64)

Note:
Dimensions are shown ±1/2"
Dimensions in parentheses
are in mm

Valve	Inlets	Outlet
LFSH1432	3/4" (20)	1" (25)
LFSH1434	1-1/4" (32)	1-1/2" (40)
LFSH1435	2" (50)	2" (50)

Ordering Information



Valve

Order Code	Valve
LFSH1432	57 gpm (216 lpm)
LFSH1434	127 gpm (481 lpm)
LFSH1435	201 gpm (761 lpm)

Finish

A	Rough Bronze
C	Chrome Plated

Piping Inlets/Outlet

E	Bottom/Top
---	------------

Cabinet Style

Q	Stainless Steel, Wall Mount
U	Painted, Wall Mount

View Port

None	0
Window	W

Alarm System

None	0
Aqua Sentry® 2 Alarm	4

Option

None	0
Cold Water Bypass	2
T/P Gauge on Inlets	4
C/W Bypass & T/P Gauge on Inlets	6

Temperature Range

90°F – 160°F (32°C – 71°C)	S
60°F – 90°F (16°C – 32°C)	W

Recirculation Piping Diagram

Please see Piping Diagram Section of this catalog.

Typical Specification

Cabinet Supply Fixture (CSF) shall be factory assembled and tested and include a stainless steel or painted steel cabinet. CSF shall feature a HydroGuard® XP LFSH1430 series single-valve hi/lo with advanced paraffin-based actuation technology. The valves shall be constructed using Lead Free* brass. Lead Free* brass valves shall comply with state codes and standards, where applicable, requiring reduced lead content. CSF shall also include copper piping, ball valve(s) and temperature/pressure gauge for diagnostics. The tempering valve shall have union check stops, an outlet temperature range of 90 – 160°F (32° – 71°C) (with lockable means), a single seat design for positive shutoff and an approach temperature of 5°F (3°C). Minimum flows to ASSE 1017 shall be LFSH1432 (1.0 gpm, 4 lpm), LFSH1434 (1.0 gpm, 4 lpm), LFSH1435 (5.0 gpm, 19 lpm).

Valve shall be a Powers model _____. All alternatives must have written approval prior to bidding.

POWERS™

A WATTS Brand

USA: Tel: (800) 669-5430 • Fax: (847) 229-0526 • PowersControls.com
 Canada: Tel: (905) 332-4090 • Fax: (905) 332-7068 • PowersControls.ca
 Latin America: Tel: (52) 81-1001-8600 • PowersControls.com