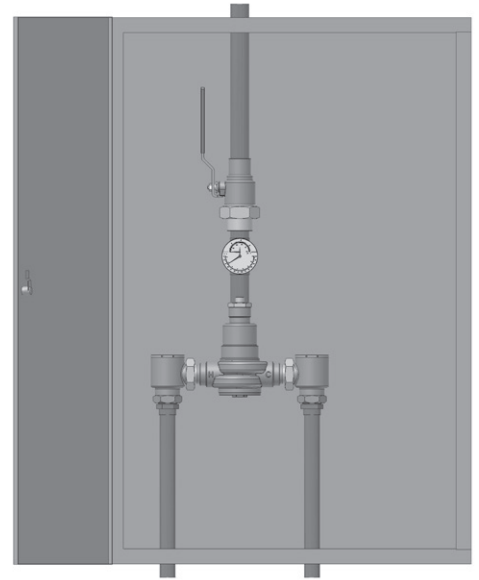


**For Non-Health Hazard Applications**

Job Name \_\_\_\_\_ Contractor \_\_\_\_\_  
 Job Location \_\_\_\_\_ Approval \_\_\_\_\_  
 Engineer \_\_\_\_\_ Contractor's P.O. No. \_\_\_\_\_  
 Approval \_\_\_\_\_ Representative \_\_\_\_\_

**LEAD FREE\***  
**HydroGuard® XP Hi/Lo**  
**Master Tempering Valves**  
 Supply Fixture Series LFSH1430  
 Bottom Inlets/Top Outlet —  
 Recessed Cabinet



Advanced Thermal Activation

**Features**

- Features Lead Free\* construction to comply with Lead Free\* installation requirements.
- Paraffin-based advanced thermal actuation technology to sense and adjust outlet temperature
- Dirt and lime resistant poppet and seat design
- Virtual shutoff if supply pressure fails
- Vandal-resistant locking mechanism to secure temperature setting
- Stainless steel or white painted cabinets
- Factory tested valve and piping
- Rotatable union triple-duty checkstops with filters, dial-thermometer, ball valve
- Rough bronze and chrome finishes

**Specifications**

Connections . . . . .	See chart on reverse
Maximum Hot Water Supply Temperature . . . . .	200°F (93°C)
Minimum Hot Water Supply Temperature** . . . . .	5°F (3°C) above set point
Minimum Flow*** . . . . .	0.5 gpm (1.9 lpm)
Maximum Operating Pressure . . . . .	125 psi (861 kPa)
Temperature Adjustment Range**** . . . . .	Standard 90 – 160°F (32 – 71°C) Low 60 – 90°F (16 – 32°C)
Hot Water Inlet Temperature Range . . . . .	120 – 180°F (49 – 82°C)
Cold Water Inlet Temperature Range . . . . .	40 – 80°F (4 – 27°C)
Listing/Compliance–Valve Only . . . . .	ASSE 1017, CSA B125

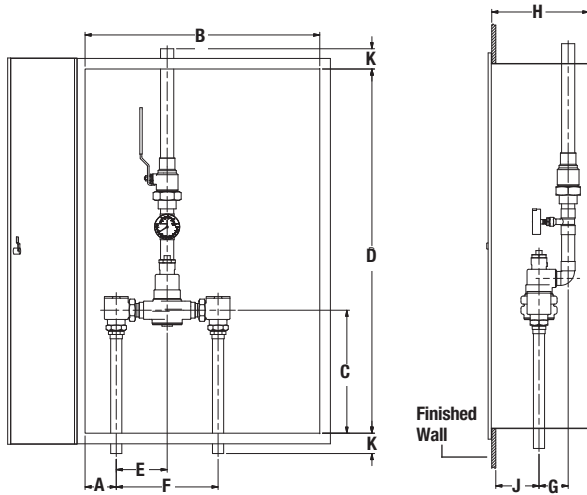
\* The wetted surface of this product contacted by consumable water contains less than one quarter of one percent (0.25%) of lead by weight.  
 \*\* With equal pressure  
 \*\*\* Minimum flow when the valve is installed at or near hot water source w/ recirculated tempered water with a properly sized continuously operating recirculating pump  
 \*\*\*\* Note: Low limit cannot be less than the cold water temperature. For best operation, hot water should be at least 5°F (3°C) above desired set point.

**Capacity**

Flow Capacity at 50-50 Mixed Ratio								
		Pressure Drop Across Valve						
Model	Min. Flow to ASSE 1017	C <sub>v</sub>	5 psi (34 kPa)	10 psi (69 kPa)	20 psi (138 kPa)	30 psi (207 kPa)	45 psi (310 kPa)	60 psi (414 kPa)
LFSH1432	1 gpm 4 lpm	8.54	19 gpm 72 lpm	27 gpm 102 lpm	38 gpm 144 lpm	47 gpm 178 lpm	57 gpm 216 lpm	66 gpm 250 lpm
LFSH1434	1 gpm 4 lpm	19.00	42 gpm 159 lpm	60 gpm 227 lpm	85 gpm 322 lpm	104 gpm 394 lpm	127 gpm 481 lpm	147 gpm 556 lpm
LFSH1435	5 gpm 19 lpm	30.00	67 gpm 254 lpm	95 gpm 360 lpm	134 gpm 507 lpm	164 gpm 621 lpm	201 gpm 761 lpm	232 gpm 878 lpm

Powers product specifications in U.S. customary units and metric are approximate and are provided for reference only. For precise measurements, please contact Powers Technical Service. Powers reserves the right to change or modify product design, construction, specifications, or materials without prior notice and without incurring any obligation to make such changes and modifications on Powers products previously or subsequently sold.

## Dimensions



Valve	A	B	C	D	E	F	G	H	J	K
LFSH1432	3-7/8"	20"	14-3/4"	36"	4-5/8"	9-1/4"	2-3/4"	9"	4-1/2"	2"
	(98)	(508)	(375)	(914)	(117)	(235)	(70)	(229)	(114)	(50)
LFSH1434	3-7/8"	29"	15-1/4"	45"	6-1/4"	12-1/2"	3-5/8"	12"	5-7/8"	2-1/2"
	(98)	(737)	(387)	(1143)	(159)	(318)	(92)	(305)	(149)	(64)
LFSH1435	4-1/8"	38"	20-1/8"	55-3/4"	7-7/8"	15-3/4"	4-1/4"	13"	6"	2-1/2"
	(105)	(965)	(511)	(1416)	(200)	(400)	(108)	(330)	(152)	(64)

Note:  
Dimensions are shown  $\pm 1/2"$   
Dimensions in parentheses  
are in mm

Valve	Inlets	Outlet
LFSH1432	3/4" (20)	1" (25)
LFSH1434	1-1/4" (32)	1-1/2" (40)
LFSH1435	2" (50)	2" (50)

## Ordering Information



### Valve

Order Code	Valve
LFSH1432	57 gpm (216 lpm)
LFSH1434	127 gpm (481 lpm)
LFSH1435	201 gpm (761 lpm)

### Finish

Order Code	Finish
A	Rough Bronze
C	Chrome Plated

### Piping Inlets/Outlet

Order Code	Piping Inlets/Outlet
E	Bottom/Top

### Cabinet Style

Order Code	Cabinet Style
N	Stainless Steel, Recessed
R	Painted, Recessed

### View Port

Order Code	View Port
0	None
W	Window

### Alarm System

Order Code	Alarm System
0	None
4	Aqua Sentry® 2 Alarm

### Option

Order Code	Option
0	None
2	Cold Water Bypass
4	T/P Gauge on Inlets
6	C/W Bypass & T/P Gauge on Inlets

### Temperature Range

Order Code	Temperature Range
S	90°F – 160°F (32°C – 71°C)
W	60°F – 90°F (16°C – 32°C)

## Recirculation Piping Diagram

Please see Piping Diagram Section of this catalog.

## Typical Specification

Cabinet Supply Fixture (CSF) shall be factory assembled and tested and include a stainless steel or painted steel cabinet. CSF shall feature a HydroGuard® XP LFSH1430 series single-valve hi/lo with advanced paraffin-based actuation technology. The valves shall be constructed using Lead Free\* brass. Lead Free\* brass valves shall comply with state codes and standards, where applicable, requiring reduced lead content. CSF shall also include copper piping, ball valve(s) and temperature/pressure gauge for diagnostics. The tempering valve shall have union check stops, an outlet temperature range of 90 – 160°F (32° – 71°C) (with lockable means), a single seat design for positive shutoff and an approach temperature of 5°F (3°C). Minimum flows to ASSE 1017 shall be LFSH1432 (1.0 gpm, 4.0 lpm), LFSH1434 (1.0 gpm, 4.0 lpm), LFSH1435 (5.0 gpm, 19 lpm).

Valve shall be a Powers model \_\_\_\_\_. All alternatives must have written approval prior to bidding.

# POWERS™

A WATTS Brand

USA: Tel: (800) 669-5430 • Fax: (847) 229-0526 • PowersControls.com  
 Canada: Tel: (905) 332-4090 • Fax: (905) 332-7068 • PowersControls.ca  
 Latin America: Tel: (52) 81-1001-8600 • PowersControls.com