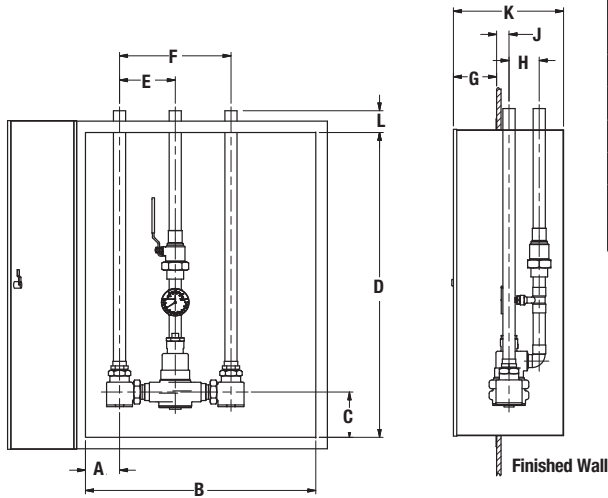




## Dimensions



Valve	A	B	C	D	E	F	G	H	J	K	L
LFMM431	3-7/8"	20"	4-3/4"	26"	4-5/8"	9-1/4"	3-1/2"	2-5/8"	1-1/8"	9"	2"
	(98)	(508)	(121)	(660)	(117)	(235)	(89)	(67)	(29)	(229)	(51)
LFMM432	3-7/8"	20"	4-3/4"	26"	4-5/8"	9-1/4"	3-1/2"	2-3/4"	1-1/8"	9"	2"
	(98)	(508)	(121)	(660)	(117)	(235)	(89)	(70)	(29)	(229)	(51)
LFMM433	3-7/8"	26"	4-3/4"	34-1/2"	6-1/4"	12-1/2"	4-1/2"	3-3/8"	1-3/8"	12"	2-1/2"
	(98)	(660)	(121)	(876)	(159)	(318)	(114)	(86)	(35)	(305)	(64)
LFMM434	3-7/8"	26"	4-3/4"	34-1/2"	6-1/4"	12-1/2"	4-1/2"	3-5/8"	1-3/8"	12"	2-1/2"
	(98)	(660)	(121)	(876)	(159)	(318)	(114)	(92)	(35)	(305)	(64)
LFMM435	4-1/2"	32"	6-3/8"	42"	7-7/8"	15-5/8"	4"	4-1/4"	2"	13"	2-1/2"
	(114)	(813)	(162)	(1067)	(200)	(397)	(102)	(108)	(51)	(330)	(64)

Note:  
Dimensions are shown  $\pm 1/2$ "  
Dimensions in parentheses  
are in mm

Valve	Inlets	Outlet
LFMM431	3/4" (20)	3/4" (20)
LFMM432	3/4" (20)	1" (25)
LFMM433	1-1/4" (32)	1-1/4" (32)
LFMM434	1-1/4" (32)	1-1/2" (40)
LFMM435	2" (50)	2" (50)

## Ordering Information



Valve	Order Code
42 gpm (159 lpm)	LFMM431
64 gpm (242 lpm)	LFMM432
110 gpm (416 lpm)	LFMM433
144 gpm (545 lpm)	LFMM434
208 gpm (787 lpm)	LFMM435

Finish	
Rough Bronze	A
Chrome Plated	C

Piping Inlets/Outlet	
Top/Top	D

Cabinet Style	
Stainless Steel, Semi-Recessed	P
Painted, Semi-Recessed	T

### View Port Order Code

None	0
Window	W

### Alarm System Order Code

None	0
Aqua Sentry® 2 Alarm	4

### Option

None	0
Cold Water Bypass	2
T/P Gauge on Inlets	4
C/W Bypass & T/P Gauge on Inlets	6

### Temperature Range

90°F – 160°F (32°C – 71°C)	S
60°F – 90°F (16°C – 32°C)	W

## Recirculation Piping Diagram

Please see Piping Diagram Section of this catalog.

## Typical Specification — Supply Fixtures (MM)

Cabinet Supply Fixture (CSF) shall be factory assembled and tested and include a stainless steel or painted steel cabinet. CSF shall feature a HydroGuard® XP LFMM430 series master-tempering valve with advanced paraffin-based actuation technology. The valves shall be constructed using Lead Free\* brass. Lead Free\* brass valves shall comply with state codes and standards, where applicable, requiring reduced lead content. CSF shall also include copper piping, ball valve(s) and temperature/pressure gauge for diagnostics. The tempering valve shall have union checkstops, an outlet temperature range of 90 – 160°F (32 – 71°C) (with lockable means), a single seat design for positive shutoff and an approach temperature of 5°F (3°C). Valve shall be ASSE 1017 listed and CSA certified. Minimum flows to ASSE 1017 shall be LFMM431 (3.0 gpm, 11 lpm), LFMM432 (4.0 gpm, 15 lpm), LFMM433 (5.0 gpm, 19 lpm), LFMM434 (7.0 gpm, 27 lpm), LFMM435 (10.0 gpm, 38 lpm).

Valve shall be a Powers model \_\_\_\_\_. All alternatives must have written approval prior to bidding.

# POWERS™

A WATTS Brand

USA: Tel: (800) 669-5430 • Fax: (847) 229-0526 • PowersControls.com  
 Canada: Tel: (905) 332-4090 • Fax: (905) 332-7068 • PowersControls.com  
 Latin America: Tel: (52) 81-1001-8600 • PowersControls.com