

**HydroGuard® XP Series Emergency Tempering Valve
Supply Fixture with Cold Water Bypass
Bottom Inlets/Bottom Outlet Exposed**

Product Specification

Features ■

- Powers' Advanced Thermal Actuator provides precise temperature control
- Exclusive internal cold water bypass ensures cold water flow in the event of loss of hot water
- Flow effectively shuts down upon loss of cold water supply when tested under the condition specified in ASSE 1071 standard
- Vandal-resistant locking mechanism to secure temperature setting
- Factory tested
- Rough bronze and chrome finishes
- Checkstops to prevent cross flow

US Patent 6,575,377

Specifications ■

- Connections 1/2" (15 mm) inlets and outlets
- Maximum Operating Pressure 125psi (861 kPa)
- Maximum Hot Water Temperature 180°F (82°C)
- Temperature Adjustment Range 60 – 95°F (15 – 35°C)
- Factory Set Temperature* 85°F (29°C)
- Bypass flow rate at 30psid* 6.5 gpm (25 lpm)
- Maximum flow with cold water shutoff* 0.5 gpm (1.9 lpm)
- Listing–Valve Only ASSE 1071 and IAPMO UPC

**When tested under conditions specified in ASSE 1071 Standard*

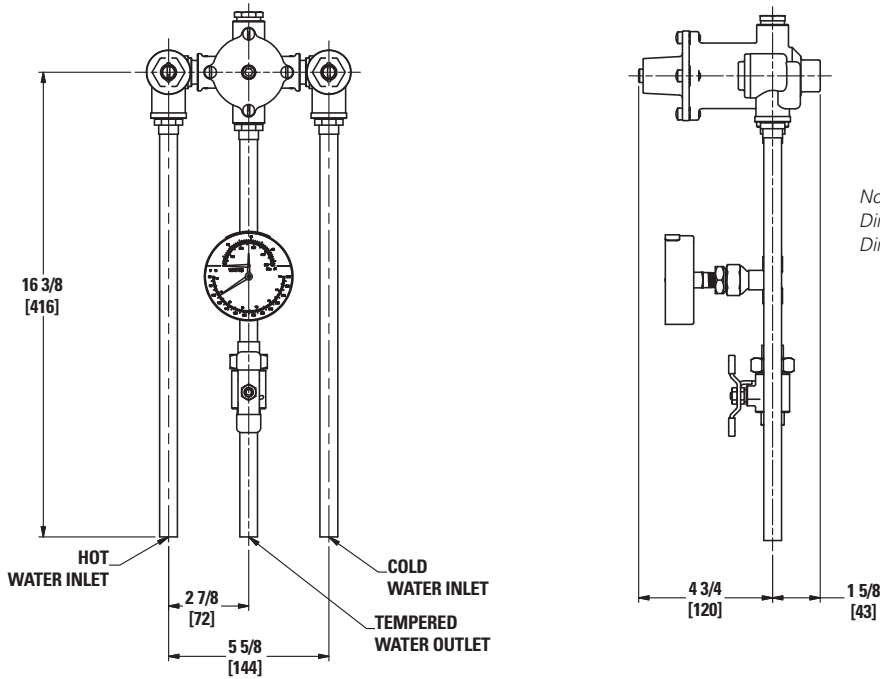


Advanced Thermal Activation

Capacity ■

Flow Capacity at 85°F (29.4°C)									
		Pressure Drop Across Valve							
Model	Min. Flow to ASSE 1071	C _v	5psi (34 kPa)	10psi (69 kPa)	15psi (103 kPa)	20psi (138 kPa)	30psi (207 kPa)	45psi (310 kPa)	60psi (414 kPa)
ES150	1.0 gpm 3.8 lpm	1.59	3.6 gpm 13.6 lpm	5.0 gpm 18.9 lpm	6.2 gpm 23.5 lpm	7.1 gpm 26.9 lpm	8.7 gpm 32.9 lpm	10.7 gpm 40.5 lpm	12.3 gpm 46.6 lpm

Dimensions ■



Note:
Dimensions are shown ±1/2"
Dimensions in brackets are in mm

Ordering Information ■

Valve

8.7 gpm (32.9 lpm) @ 30psi (207 kPa)

Finish

Rough Bronze
Chrome Plated

Piping Inlets/Outlet

Bottom/Bottom

Cabinet Style

None

Options

None
T/P Gauge on Inlets

Alarm System

None
AquaSentry2®

Order Code

ES150

A

B

F

0

0

5

0

4

Recirculation Piping Diagram ■

Please see Piping Diagram Section of this catalog.

Typical Specification ■

Supply Fixture for supplying tepid water to emergency fixtures shall be factory assembled and tested. Thermostatic mixing valve must have internal cold-water bypass system to ensure flow in the event of valve failure or loss of hot water supply. Supply fixture also includes copper piping, ball valve (s) and temperature/pressure gauge for diagnostics. The valve shall be listed to ASSE 1071 and IAPMO UPC provide precise temperature control over a wide range of flow conditions, and effectively shut down on loss of cold water. The valve shall feature paraffin-based actuation technology and checkstops to prevent cross flow. The valve shall be factory set to 85°F (29°C) with a lockable mean of securing the temperature.

The valve shall be Powers' model ES150 _____. All alternatives must have written approval prior to bidding.

ENGINEERING APPROVAL

Project: _____
Contractor: _____
Architect/Engineer: _____

POWERS™

A Watts Water Technologies Company



USA: Phone: 1.800.669.5430 • Fax 1.847.229.0526 • www.powerscontrols.com
Canada: Phone: 1.888.208.8927 • Fax 1.888.479.2887 • www.powerscontrols.ca