


For Non-Health Hazard Applications

| | |
|--------------------|-----------------------------|
| Job Name _____ | Contractor _____ |
| Job Location _____ | Approval _____ |
| Engineer _____ | Contractor's P.O. No. _____ |
| Approval _____ | Representative _____ |

Single Shank Lavatory Metering Faucet

Fitting No. P1805

Specifications

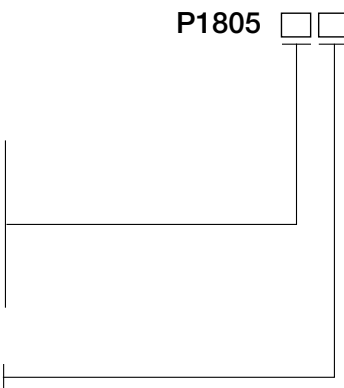
| | |
|---|--|
| Product | Single Shank Lavatory Metering Faucet |
| Finish | Polished Chrome |
| Agency/Spec Approvals: | |
| • ANSI A112.18.1M | |
| • CSA B125 | |
| • ADA-compliance where noted on drawing  | |
| Maximum Flow Rates | 2.0 gpm at 60 psi (7.6 L/min. at 410 kPa) |
| Maximum Operating Pressure Rating | 125 psi (860 kPa) |
| Maximum Operating Temperature Rating | 150°F (65°C) |
| Approximate Shipping Weight (± 0.25 lbs/±0.11 kg) .. | 2.2 lbs. (1 kg) |
| Dimensions | See Submittal Drawing on reverse |
| Inlet Connection Type and Size | See Submittal Drawing on reverse |
| Body Construction | Brass |
| Handles | Brass |



Ordering Information

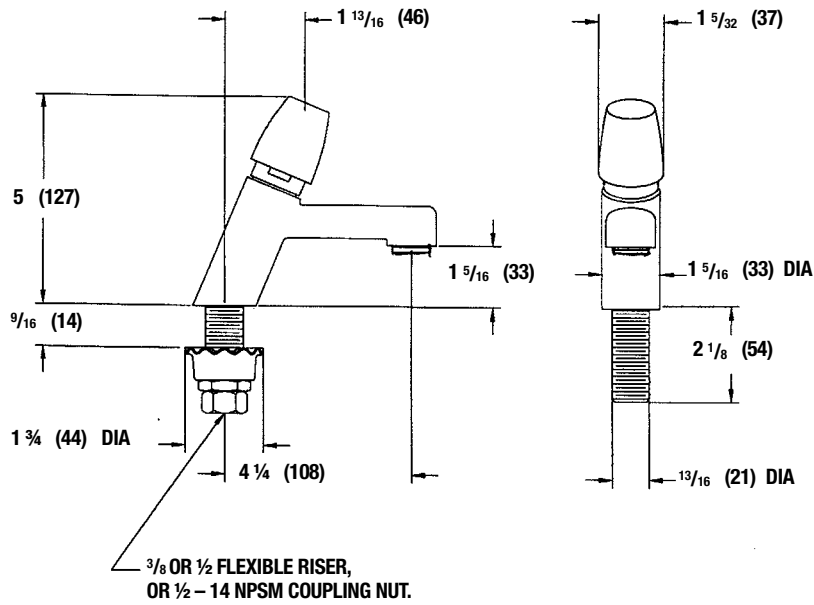
P1805

| <u>Outlet</u> | <u>Order Code</u> |
|---|-------------------|
| 0.5 gpm (1.6 L/min) Aerator | A5 |
| 2.0 gpm (7.6 L/min) Laminar Flow Outlet | LF |
| 2.0 gpm (7.6 L/min) Spray Face | SF |
| Vandal Resistant Aerator (0.5 gpm, 1.9 L/min) . . . | V5 |
| Vandal Resistant Aerator (2.0 gpm, 7.6 L/min) . . . | VA |
| 2.0 gpm (7.6 L/min) Vandal Resistant Flow. | VF |
| | |
| Others | |
| Grid Drain (P3902) | GD |



Powers product specifications in U.S. customary units and metric are approximate and are provided for reference only. For precise measurements, please contact Powers Technical Service. Powers reserves the right to change or modify product design, construction, specifications, or materials without prior notice and without incurring any obligation to make such changes and modifications on Powers products previously or subsequently sold.

Dimensions



Dimensions in Inches (Millimeters)

Roughing in dimensions may vary and are subject to change. No responsibility is assumed for use of superseded or voided data.

POWERS™

A WATTS Brand

USA: Tel: (800) 669-5430 • Fax: (847) 229-0526 • PowersControls.com

Canada: Tel: (905) 332-4090 • Fax: (905) 332-7068 • PowersControls.ca

Latin America: Tel: (52) 81-1001-8600 • PowersControls.com