

For Non-Health Hazard Applications

Job Name _____ Contractor _____
 Job Location _____ Approval _____
 Engineer _____ Contractor's P.O. No. _____
 Approval _____ Representative _____

LEAD FREE*

HydroGuard® Series LM495

Thermostatic Mixing Valves for Lavatory Installations



Features

- Temperature control to ASSE 1069, 1070 down to 0.5 gpm
- Advanced thermal actuator improves performance at low flow
- Solid bronze construction enhances durability
- Adjustable temperature selection with lock down
- Union connections for easy maintenance
- Integral checks and screen prevents cross-flow and contamination
- Available in ½", ¾", 1" (15, 20, 25 mm) with NPT, Sweat, PEX, Quick-Connect, and CPVC union connections

Specifications

Temperature Adjustment: 80° – 120°F (27°C to 49°C)
 Approach Temperature: 5°F (3°C) above set point
 Check Valves: Integral
 Max. Operating Pressure: 125 psi (861 kPa)
 Construction: Cast Bronze Body
 Max. Hot Water Temperature: 200°F (93°C)
 Listing: ASSE 1069, ASSE 1070 and IAPMO cUPC
 Max. Pressure Differential between
 Hot & Cold Water Supplies: 25%
 Minimum Flow: 0.5 gpm (1.90 lpm) when tested in accordance with ASSE 1069 and ASSE 1070

UNION CONNECTIONS														
Female NPT			Sweat			CPVC			PEX			Quick-Connect		
½"	¾"	1"	½"	¾"	1"	½"	¾"	1"	½"	¾"	1"	½"	¾"	1"
(15)	(20)	(25)	(15)	(20)	(25)	(15)	(20)	(25)	(15)	(20)	(25)	(15)	(20)	(25)
LM495-1	LM496-1	LM497-1	LM495-2	LM496-2	LM497-2	LM495-3	LM496-3	LM497-3	LM495-4	LM496-4	LM497-4	LM495-5	LM496-5	LM497-5

Capacity

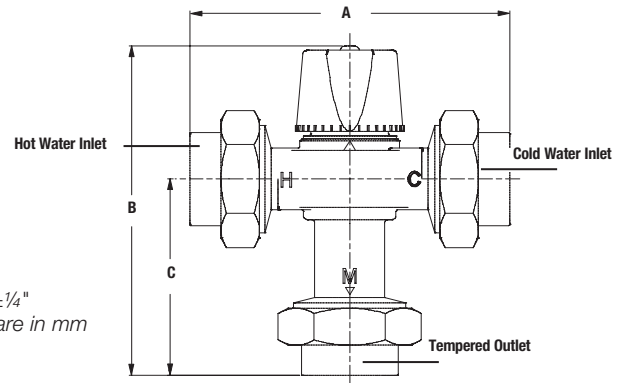
PRESSURE DROP ACROSS THE VALVE							
(CV) 1 psi (7 kPa)	5 psi (34 kPa)	10 psi (69 kPa)	15 psi (103 kPa)	20 psi (138 kPa)	30 psi (207 kPa)	45 psi (310 kPa)	60 psi (414 kPa)
1.79	4.0 gpm (15.0 lpm)	5.7 gpm (22.0 lpm)	7.0 gpm (26.0 lpm)	8.0 gpm (30.0 lpm)	9.8 gpm (37.0 lpm)	12.0 gpm (45.0 lpm)	13.9 gpm (53.0 lpm)

Powers product specifications in U.S. customary units and metric are approximate and are provided for reference only. For precise measurements, please contact Powers Technical Service. Powers reserves the right to change or modify product design, construction, specifications, or materials without prior notice and without incurring any obligation to make such changes and modifications on Powers products previously or subsequently sold.

Dimensions

Model	LM495-1	LM496-1	LM497-1	LM495-2	LM496-2	LM497-2	LM495-3	LM496-3	LM497-3	LM495-4	LM496-4	LM497-4
Connections	½" NPT Female	¾" NPT Female	1" NPT Female	½" Sweat	¾" Sweat	1" Sweat	½" CPVC	¾" CPVC	1" CPVC	½" PEX	¾" PEX	1" PEX
"A"	4-7/8 (124mm)	4-7/8 (124mm)	5-5/16 (135mm)	4-13/16 (123mm)	5-5/16 (135mm)	5-19/16 (148mm)	4-3/4 (121mm)	5-1/4 (133mm)	5-11/16 (144mm)	5-1/4 (133mm)	5-1/2 (140mm)	5-7/8 (149mm)
"B"	5-7/16 (137mm)	5-7/16 (137mm)	5-5/8 (143mm)	5-3/8 (137mm)	5-5/8 (143mm)	5-7/8 (149mm)	5-5/16 (136mm)	5-9/16 (142mm)	5-13/16 (147mm)	5-9/16 (142mm)	5-11/16 (145mm)	5-7/8 (150mm)
"C"	3-3/16 (80mm)	3-3/16 (80mm)	3-3/8 (86mm)	3-1/8 (80mm)	3-3/8 (86mm)	3-5/8 (92mm)	3-1/16 (79mm)	3-5/16 (85mm)	3-9/16 (90mm)	3-5/16 (85mm)	3-7/16 (88mm)	3-5/8 (93mm)

Model	LM495-5 LM495-105	LM496-5 LM496-105	LM497-5 LM497-105
Connections	½" Quick-Connect	¾" Quick-Connect	1" Quick-Connect
"A"	6-5/8 (168mm)	6-15/16 (177mm)	7-1/8 (181mm)
"B"	6-1/4 (159mm)	6-7/16 (163mm)	6-1/2 (165mm)
"C"	4 (102mm)	4-3/16 (106mm)	4-1/4 (108mm)



Note:
Dimensions are shown ±¼"
Dimensions in brackets are in mm

Ordering Information

Model LM49
(80° – 120° F)
(27° – 49° C)

Valve

½"	5
¾"	6
1"	7

Inlets

Union NPT Female	1
Union Sweat	2
Union CPVC	3
Union PEX	4
Quick-Connect	5

Checkstops (Pairs)*

None	0
½" Straight, NPT (LM495-I only)	A
½" Straight, Sweat (LM495-I only)	C
½" Angled, Sweat (LM495-I only)	D

* Checks come standard

Cabinet & Piping

0	None
A	Stainless Steel, Recessed
B	Stainless Steel, Wall Mount
E	Stainless Steel, Semi-Recessed
C	Paint, Recessed
D	Paint, Wall Mount
F	Painted, Semi-Recessed

Typical Specification

Thermostatic tempering valve shall be constructed of solid brass. The valve shall feature advanced paraffin-based actuation technology and union connections for ease of maintenance. All internal components shall be corrosion-resistant. Valve shall feature integral checks to prevent cross-flow and inlet screens to filter out debris. The valve shall be ASSE 1069, ASSE 1070 and IAPMO cUPC listed. Capacity of the valve shall be 12.0 gpm (45.0 lpm) at 45 psi (310 kPa) differential. Valve shall perform to a minimum flow of 0.5 gpm (2 lpm) to ASSE 1070. Control temperature shall be adjustable between 80°F – 120°F (27 – 49°C). The valve shall feature a vandal-resistant lockable handle to prevent tampering. The valve shall be a Powers' HydroGuard® Model LM495 (½", 15mm), LM496 (¾", 20mm), LM497 (1", 25mm). Any alternate must have a written approval prior to bidding.

POWERS™

A WATTS Brand

USA: Tel: (800) 669-5430 • Fax: (847) 229-0526 • PowersControls.com
Canada: Tel: (905) 332-4090 • Fax: (905) 332-7068 • PowersControls.com
Latin America: Tel: (52) 81-1001-8600 • PowersControls.com