

Product Specification

Features ■

- Provides true protection against pressure and temperature changes
- Controls mixed outlet temperature within 10°F (5.5°C) of hot water supply temperature
- Eliminates time and cost for seasonal limit stop adjustment
- Back-to back installation without costly cross-over piping
- Self-contained cartridge installs in minutes to simplify repair
- Opens in the cold water position to ensure maximum bather safety
- Precise temperature read out within 1/10th of a degree
- AAA alkaline battery for long life
- Affordably priced, comparable to common pressure balance valves
- ASSE 1016 Type T/P and IAPMO cUPC listed



Specifications ■

Valve Construction	Heavy cast bronze body and brass stem
Connections	1/2" Sweat inlets and outlets
Capacity	4.0 gpm (15.0 lpm) @ 45psi ΔP 50/50 mix
High Temperature Limit Stop	Adjustable (factory set at 110°F (43°C))
Maximum Operating Pressure	125psi (861 kPa)
Max. Hot Water Supply Temperature	190°F (88°C)
Minimum Hot Water Supply Temperature (Approach Temperature)	10°F (5.5°C) above set point
Temperature Adjustment Range (for +/- 3.6°F performance)	ASSE 1016 Type T/P 90 - 110°F (32 - 43°C) ASSE 1016 Type T 80 - 120°F (27 - 49°C)
Maximum Static Pressure	125psi (861 kPa)
Minimum Flow	1.0 gpm (3.78 lpm)
Temperature Display	1/2" (13 mm) LCD Display accurate to 1/10 of a degree
Temperature Range Display	-58 to 158° F (-50 to 70°C)
Battery	AAA alkaline
Approval Standards	CSA B125.1, ASSE 1016 T/P, ASME A112.18.1
Listing	ASSE 1016 T/P, IAPMO - cUPC

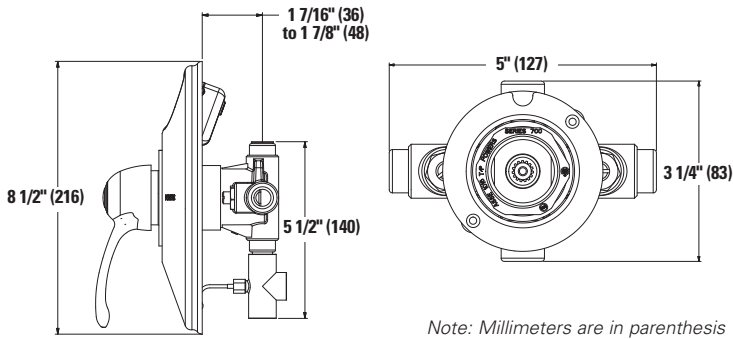


Advanced Thermal Activation

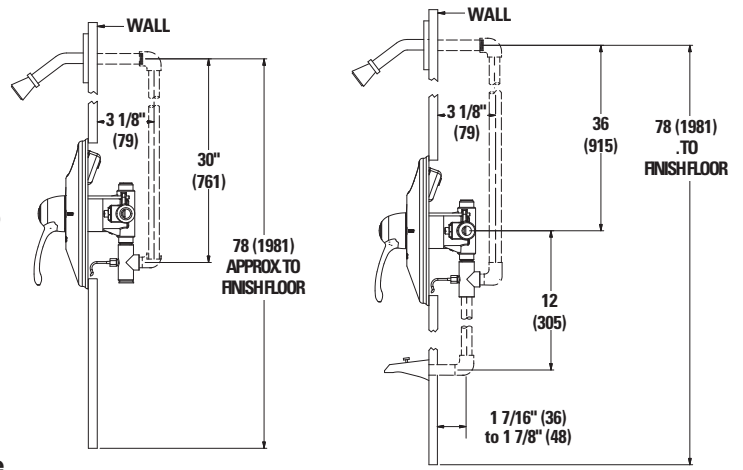
NOTICE

- 1) Set point cannot be less than the cold water temperature. For best operation, hot and cold water should be at least 10°F (5.5 C) from desired set point.
- 2) All F727 and C727 VisuGuard LCD T/P combination mixing valves meet above performance specifications based on a typical operating conditions as stated in ASSE 1016 standard.
- 3) If your operating conditions varies from the standard, performance may vary as well. Consult your sales representative or Powers' Technical Support @ 800.669.5430 to discuss your specific application.

Dimensions ■



Note: Millimeters are in parenthesis



Ordering Information ■

Temperature Display (factory set)

- Celsius
- Fahrenheit

Showerheads

- Economizer, Chrome-Plated ABS, Adjustable
- Standard, Chrome-Plated Brass
- Deluxe, Chrome-Plated Brass
- Low Flow (1.6 gpm), Chrome-Plated
- Low Flow (1.5 gpm), Chrome-Plated

Arm & Flange Kits

- Standard Arm & Flange
- Deluxe Arm & Flange
- Standard Arm/Flange & High Temp. Shutoff
- Deluxe Arm/Flange & High Temp. Shutoff

Tub Spout

- Diverter, Chrome-Plated Brass, 3/4" IPS
- Non-Diverter, Chrome-Plated, 1/2" IPS
- Diverter, Chrome-Plated Brass, 1/2" IPS
- Diverter, Chrome-Plated Brass, 1/2" IPS
- Diverter, Chrome-Plated, 1/2" Slip-fit

Hand Shower System

- 24" Chrome ADA Wall Grab Bar System
- 36" Chrome ADA Wall Grab Bar System
- Deluxe, Metal Hose, 30" Glide Rail
- Professional, Vinyl Hose, 30" Glide Rail
- Standard, Metal Hose, 2 Wall Hooks
- Standard, Metal Hose, 24" Glide Rail
- Professional, Vinyl Hose, 24" Glide Rail
- Standard Plus, Metal Hose, 24" Glide Rail
- European, Metal Hose, 23" Glide Rail
- Massage, Metal Hose, 30" Glide Rail
- Professional, Metal Hose, 30" Glide Rail

Diverter

- Diverter, Concealed, Metal Handle, 1/2" Solder
- Diverter, Concealed, Deluxe ABS Handle, 1/2" Solder
- Diverter, Concealed, Deluxe Metal Handle, 1/2" Solder
- Exposed Diverter, Shower Arm-Type

Vacuum Breakers

- Vacuum Breaker, Elevated, Chrome-Plated
- Vacuum Breaker, In-Line

Order Code

		7	2	7					
C	_____								
F	_____								
J	_____								
K	_____								
M	_____								
G	_____								
H	_____								
1	_____								
2	_____								
4	_____								
5	_____								
Q	_____								
R	_____								
S	_____								
T	_____								
U	_____								
1	_____								
2	_____								
3	_____								
4	_____								
5	_____								
6	_____								
7	_____								
8	_____								
9	_____								
L	_____								
N	_____								
Y	_____								
A	_____								
B	_____								
Z	_____								
V	_____								
W	_____								

ENGINEERING APPROVAL

Project: _____

Contractor: _____

Architect/Engineer: _____



A Watts Water Technologies Company

Tel: (800) 669-5430 • Fax: (847) 229-0526 • PowersControls.com
 Tel: (905) 332-4090 • Fax: (905) 332-7068 • PowersControls.ca
 (52) 81-1001-8600 • Fax: (52) 81-8000-7091 • PowersControls.com