

For Non-Health Hazard Applications

Job Name _____	Contractor _____
Job Location _____	Approval _____
Engineer _____	Contractor's P.O. No. _____
Approval _____	Representative _____

Type 900X I/P

Description

Type-900X I/P pressure regulators converts an electrical signal (current or voltage) to a proportional pneumatic output. Utilizing internal solid-state feedback circuitry, the Type-900X provides precise, stable pressure outputs to final control elements. Immunity to the effects of vibration or mounting position, high tolerance to impure air, and low air consumption make this unit ideal for use in demanding applications.

Features

- Reliable in Harsh Environments
- Low Air Consumption — 3 SCFH typical
- High Accuracy ± 0.10% of span
- Nema-4X (IP65) Enclosure
- Vibration / Position Insensitive
- Compact Size
- Supply Pressures up to 100 psi (6.9 bar)
- Input/Output Ports on Front and Back
- Conduit Fitting
- Split Range Operation
- Field Reversible

Specifications

Input	4-20 mA
Output	0-30 psi (0-207 kPa)
Air Consumption	4.0 scfh (0.11 m ³ /hr) at mid-range
Supply Pressure	100psig (6.9 bar) maximum.
<i>Note: Supply pressure must be a minimum of 5psig above maximum output.</i>	
Flow Capacity	4.5 scfm (7.6 m ³ /hr ³ at 25 psig (1.7 bar) supply
At Mid-Range	12 scfm (20.0 m ³ /hr ³ at 100 psig (6.9 bar) supply
Temperature Limits	
Operating	-40° to +160°F (-40° to +71°C)
Storage	-40° to + 200°F (-40° to + 93°C)
Loop Load, I/P Transducer	7.5 VDC @ 20mA



Physical Specifications

Port Sizes

Pneumatic	¼" NPT
Electric	½" NPT

Media

Clean, dry, oil-free, air filtered to 40 micron

Mounting

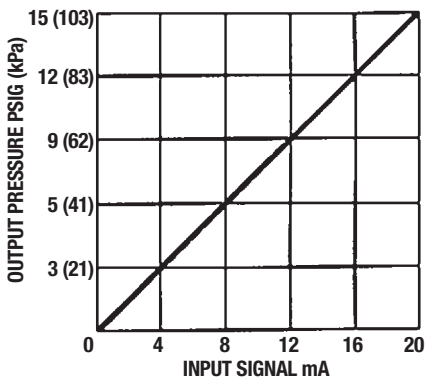
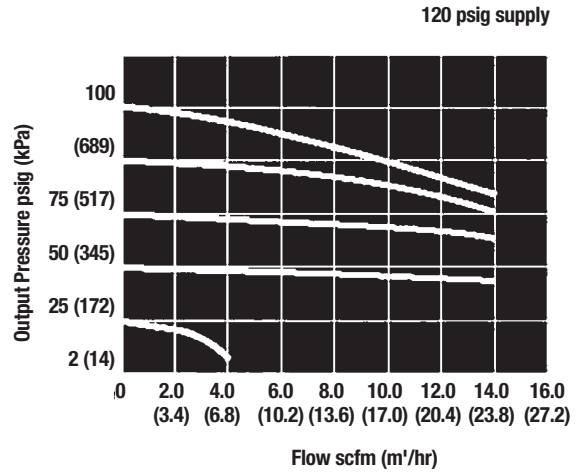
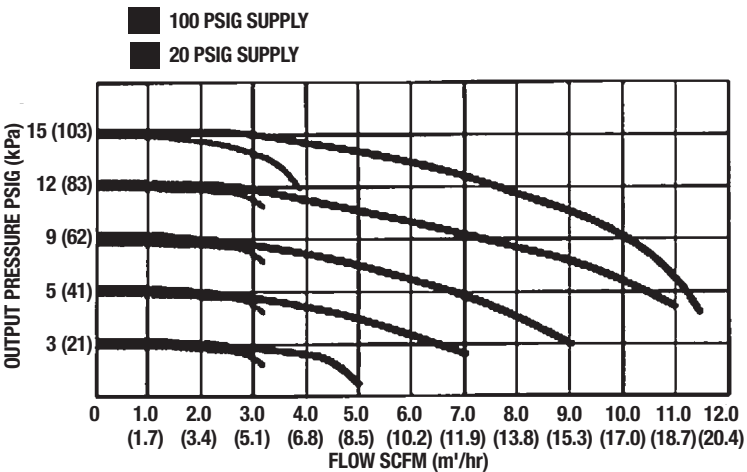
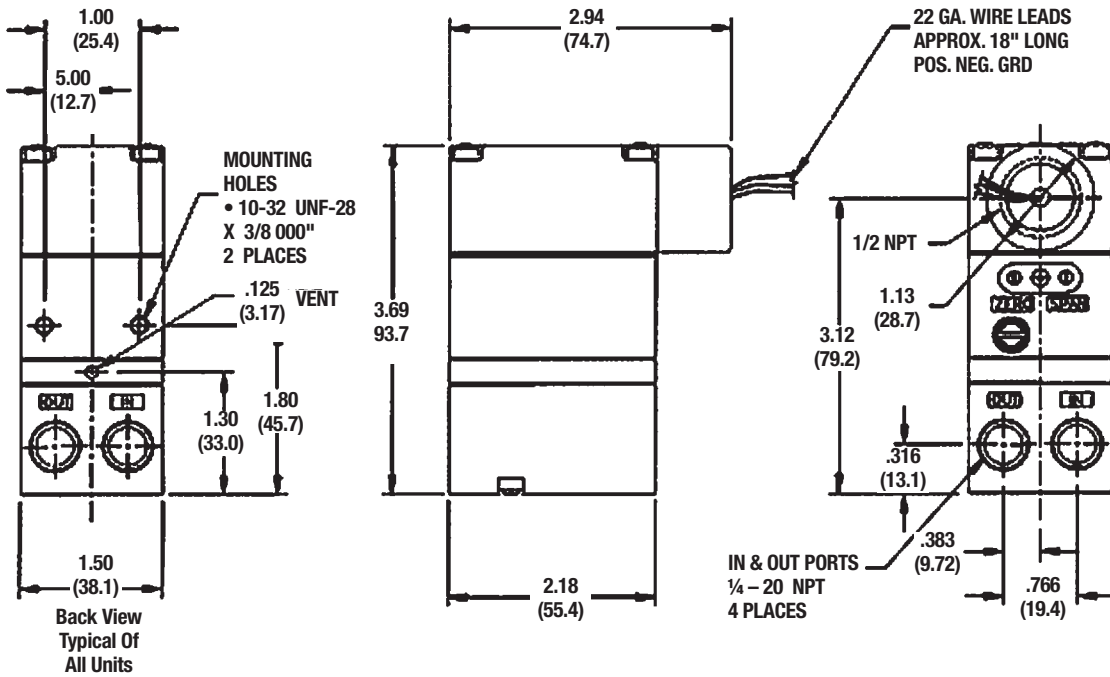
Wall, panel, 2" (50 mm) pipe, yoke or DIN rail (optional)

Materials

- Housing:** Chromate treated aluminum with baked paint. NEMA-4X (IP65)
- Elastomers:** Buna-N
- Trim:** Stainless steel, brass, zinc-plated steel
- Weight:** 13.0 oz. (0.4 kg)
- Supply Voltage, E/P Transducer:** 7-30 VDC, less than 3mA

Powers product specifications in U.S. customary units and metric are approximate and are provided for reference only. For precise measurements, please contact Powers Technical Service. Powers reserves the right to change or modify product design, construction, specifications, or materials without prior notice and without incurring any obligation to make such changes and modifications on Powers products previously or subsequently sold.

Dimensions



POWERS™
 A WATTS Brand

USA: Tel: (800) 669-5430 • Fax: (847) 229-0526 • PowersControls.com
 Canada: Tel: (905) 332-4090 • Fax: (905) 332-7068 • PowersControls.ca
 Latin America: Tel: (52) 81-1001-8600 • PowersControls.com