

For Non-Health Hazard Applications

Job Name _____

Contractor _____

Job Location _____

Approval _____

Engineer _____

Contractor's P.O. No. _____

Approval _____

Representative _____

HydroPanel®II Shower System with HydroGuard® 410 Pressure Balancing Valve

Description

The Powers HydroPanel®II Series 450-0410 Shower System combines pressure balanced water control with the convenience of modular shrouding. HydroPanel®II stainless steel shrouding provides a concealed shower system where in-wall piping does not exist or may not be practical. The single unit shower mounts easily onto preassembled copper tubing with just three screws.

Behind the shroud, a HydroGuard® 410 valve uses a proven poppet/diaphragm cartridge to balance hot and cold water supply flows. This sensitive diaphragm responds immediately to supply pressure changes to maintain the user adjusted bathing temperature. If either supply pressure fails, the valve virtually shuts off.

HydroPanel®II units can be used for new or retrofit applications, such as single showers or for complete shower rooms. They are ideal in schools, health clubs, factories, and remodeled older buildings. Optional hand-held showers mounted on vertical glide rails provide easy shower access for users with limited mobility. Optional HydroPanel®II Modular Shrouding provides easy to install, interlocking stainless steel panels to conceal all exposed room piping.

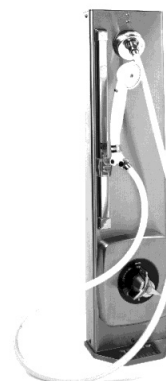
Features

- Installation requires minimal hardware: mount the brackets, connect supply piping and hang shrouding.
- All exposed surfaces are easy to clean brushed stainless steel or chrome plated for easy maintenance.
- Single handle control and color coded dial offer quick and easy temperature selection.
- Concealed handle rotation stop guards against scalding due to over adjustment of the handle.
- The Celcon® balancing cartridge provides maximum protection against lime and dirt buildup.
- Fixed (vandal resistant) and adjustable swivel showerheads are available.
- Chrome plated tri-handles and ADA compliant chrome plated lever handles are available.
- Optional hand-held showers with flexible hoses mount on 18" (457mm) glide rails for use in special applications.
- Optional Modular Shrouding offers convenient configuration of horizontal and vertical panels to cover all exposed shower room piping. See ES-P-450SH for details on HydroPanel®II Modular Shrouding.
- All HydroPanel®II units with HydroGuard® 410 valves include a one year limited warranty.
- HydroGuard® 410 valves meet the requirements of ANSI 112.18M, ASSE 1016, and CSA B125 standards.

Powers product specifications in U.S. customary units and metric are approximate and are provided for reference only. For precise measurements, please contact Powers Technical Service. Powers reserves the right to change or modify product design, construction, specifications, or materials without prior notice and without incurring any obligation to make such changes and modifications on Powers products previously or subsequently sold.



**HydroPanel®II
Model 450-0412
with Swivel Showerhead
and Soap Dish (available with
ADA compliant lever handle,
Model 450-0418).**



**HydroPanel®II Model
450-0414 with Hand Shower
Assembly and Soap Dish
(available with ADA compliant
lever handle, Model 450-0420).**

Specifications

HydroPanel®II: Brushed 18 Gauge 304 SS. Dimensions 31 1/8"H x 7 1/2" W x 6 1/2"D (791mm H x 191mm W x 165mm D).

Piping: 1/2" (15mm) copper tubing.

Showerhead: Fixed: Chrome plated brass, maximum flow 2.5 gpm @ 80 psi (.16 l/s @ 552 kPa). Adjustable Swivel (shown): Chrome plated brass, 30° angle of rotation, maximum flow 2.5 gpm @ 80 psi (.16 l/s @ 552 kPa).

Valve Assembly and Trim: HydroGuard® 410 Pressure Balancing Valve. Three port, heavy cast bronze body with brass stem. Standard in line checkstops. Standard handle rotation stop. Chrome plated zinc tri-handle or ADA compliant lever handle.

Connections: 1/2" (15mm) NPT inlets /outlet.

Valve Operation: 6 gpm @ 45 psi differential (.38 l/s @ 310 kPa). Maximum pressure 125 psi (862 kPa). Maximum inlet temperature 180°F (82°C).

Hand Shower: Full spray with pushbutton water control. Minimum flow 2.0 gpm @ 20 psi (.13 l/s @ 138 kPa). Maximum flow 2.5 gpm @ 80 psi (.16 l/s @ 138 kPa). 60" (1499mm) reinforced vinyl hose with 1/2" (15mm) chrome plated supply connections. 18" (457mm) chrome plated brass glide bar, self-tensioned for easy height adjustment.

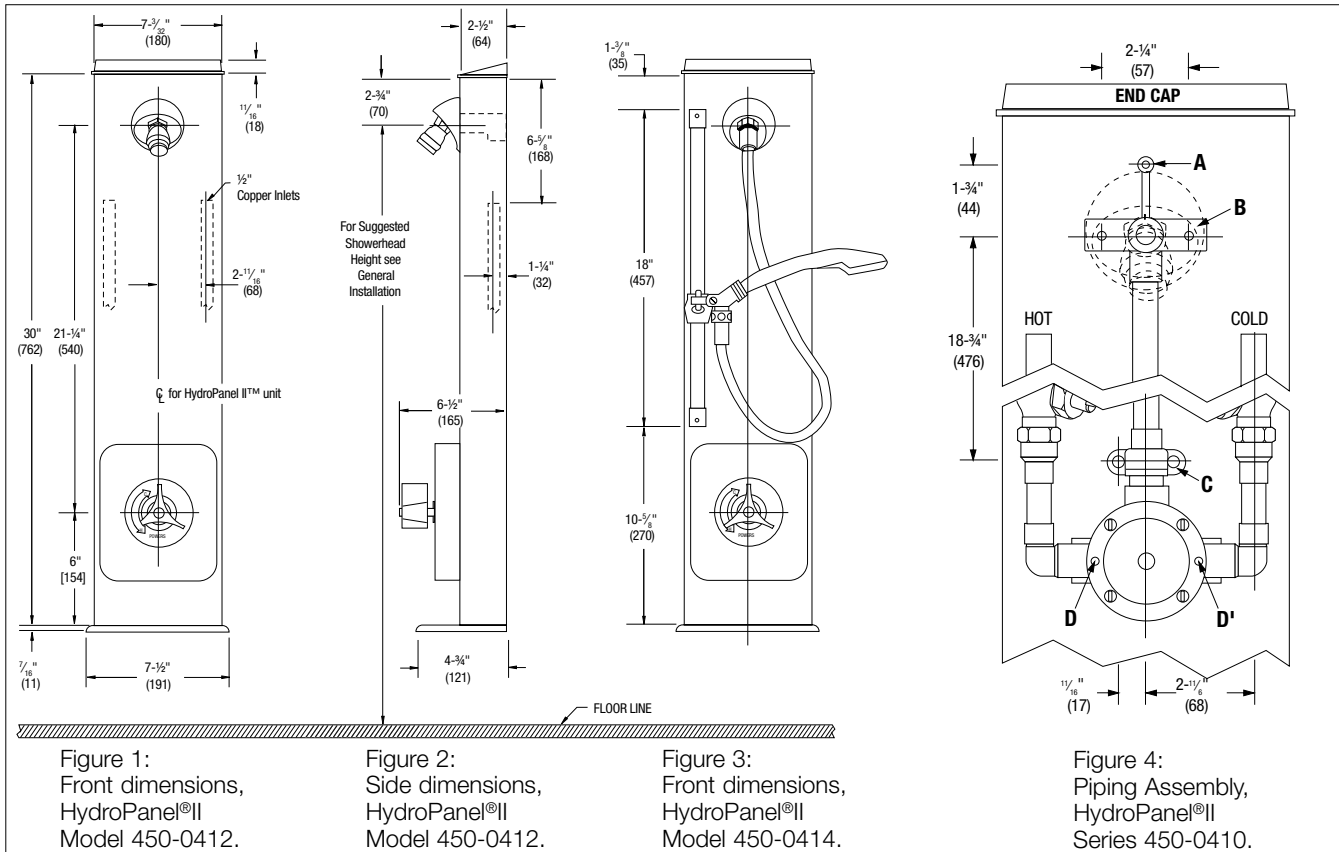
POWERS™
A WATTS Brand

General Installation

The recommended minimum distance between the centerline of two HydroPanel®II units is 36 inches (914mm). Position units evenly between inlet supply piping.

Suggested showerhead heights (if not shown in architectural plans for shower room) are:

Men — 77" (1956mm) Youth — 66" (1676mm)
Women — 70" (1778mm) Youth — 60" (1524mm)



Ordering Information

HydroPanel®II with HydroGuard® 410 Pressure Balancing Valve with Tri-Metal Handle

Order Code

- HydroPanel®II with Fixed Showerhead and Soap Dish..... **450-0410**
- HydroPanel®II with Fixed Showerhead, less Soap Dish **450-0411**
- HydroPanel®II with Swivel Showerhead and Soap Dish..... **450-0412**
- HydroPanel®II with Swivel Showerhead, less Soap Dish..... **450-0413**
- HydroPanel®II with Hand Shower and Soap Dish **450-0414**
- with Hand Shower, less Soap Dish **450-0415**

with Metal Lever Handle

- HydroPanel®II with Fixed Showerhead and Soap Dish..... **450-0416**
- HydroPanel®II with Fixed Showerhead, less Soap Dish **450-0417**
- HydroPanel®II with Swivel Showerhead and Soap Dish..... **450-0418**
- HydroPanel®II with Swivel Showerhead, less Soap Dish..... **450-0419**
- HydroPanel®II with Hand Shower and Soap Dish **450-0420**
- HydroPanel®II with Hand Shower, less Soap Dish **450-0421**

POWERS™

A WATTS Brand

USA: Tel: (800) 669-5430 • Fax: (847) 229-0526 • PowersControls.com
 Canada: Tel: (905) 332-4090 • Fax: (905) 332-7068 • PowersControls.ca
 Latin America: Tel: (52) 81-1001-8600 • PowersControls.com