

Job Name _____

Contractor _____

Job Location _____

Approval _____

Engineer _____

Contractor's P.O. No. _____

Approval _____

Representative _____

Series 440 Fotoguard

Specifications

ALL SERIES 440 WATER MIXING VALVES CONSIST OF:

- Thermostatic mixing valve
- Separate volume control and shutoff valves
- Volume control
- Inlet strainer checkstops
- ½" (15mm) NPT inlets and outlets

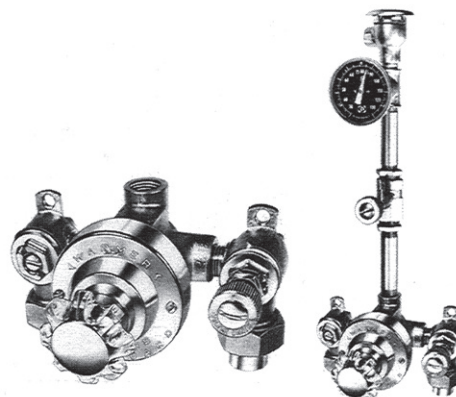
440-1500 — Capacity 1 to 6 gpm @ 45psi (0.06 to 0.38 l/s @ 310 kPa) differential.

440-1510 (High Capacity) — Capacity 1 to 14 (US) gpm @ 45psi (0.32 to 0.88 l/s @ 310 kPa) differential.

131-1575 (Supply Fixture) — Includes on/off valve, thermometer, vacuum breaker, and chrome plated brass piping. Capacity 1 to 6 (US) gpm @ 45psi (0.06 to 0.38 l/s @ 310 kPa) differential.

131-1813 (High Capacity Supply Fixture) — Includes on/off valve, thermometer, vacuum breaker, and chrome plated brass piping. Capacity 5 to 14 (US) gpm @ 45psi (0.32 to 0.88 l/s @ 310 kPa) differential.

440-1550 (for Concealed Piping) — Capacity 1 to 6 (US) gpm @ 45psi (0.06 to 0.38 l/s @ 310 kPa) differential.



440-1500
440-1510

131-1575
131-1813



440-1550

NOTICE

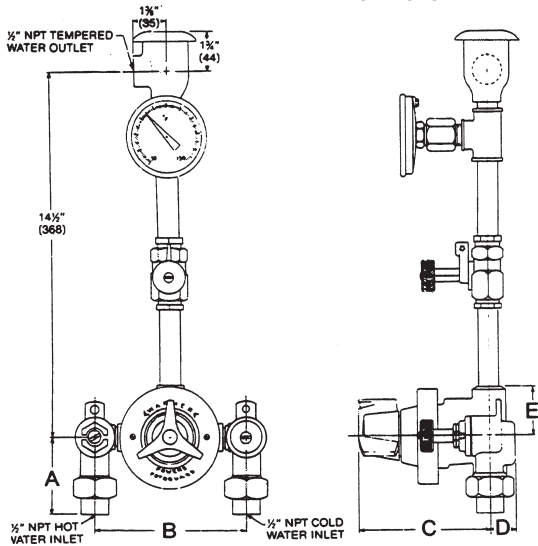
The information contained herein is not intended to replace the full product installation and safety information available or the experience of a trained product installer. You are required to thoroughly read all installation instructions and product safety information before beginning the installation of this product.

Powers product specifications in U.S. customary units and metric are approximate and are provided for reference only. For precise measurements, please contact Powers Technical Service. Powers reserves the right to change or modify product design, construction, specifications, or materials without prior notice and without incurring any obligation to make such changes and modifications on Powers products previously or subsequently sold.

POWERS™
A WATTS Brand

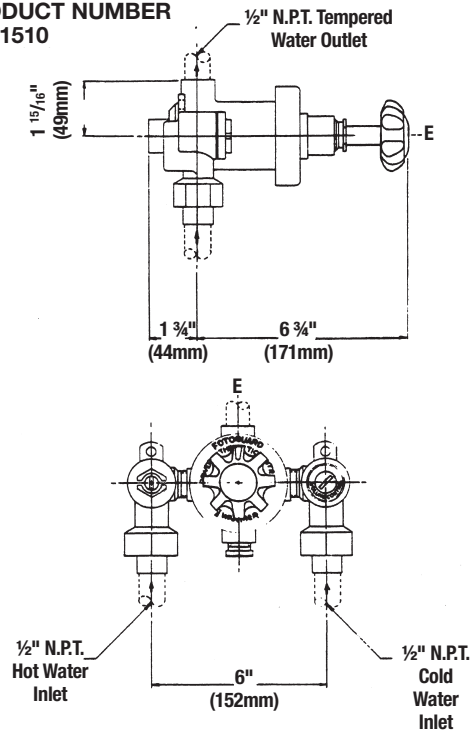
Roughing-In Dimensions

PRODUCT NUMBERS 131-1575 131-1813

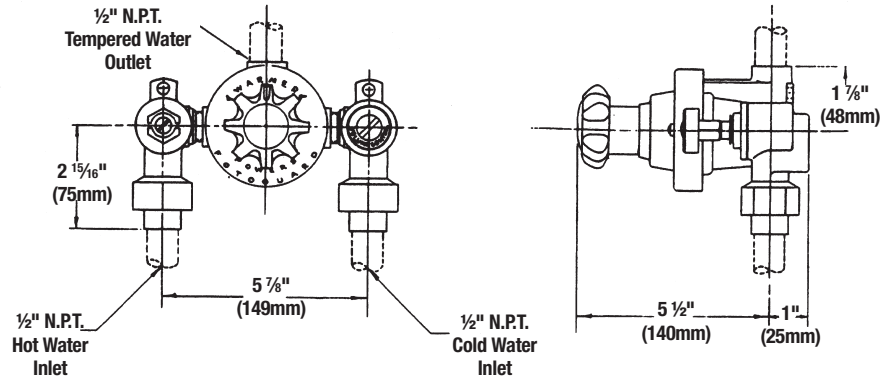


PRODUCT NO.	A	B	C	D	E
131-1575	2 1/16" 75	5 7/8" 149	5 1/2" 140	1" 25	1 7/8" 48
131-1813	2 1/16" 75	5 3/4" 146	7" 178	1 3/4" 44	1 15/16" 44

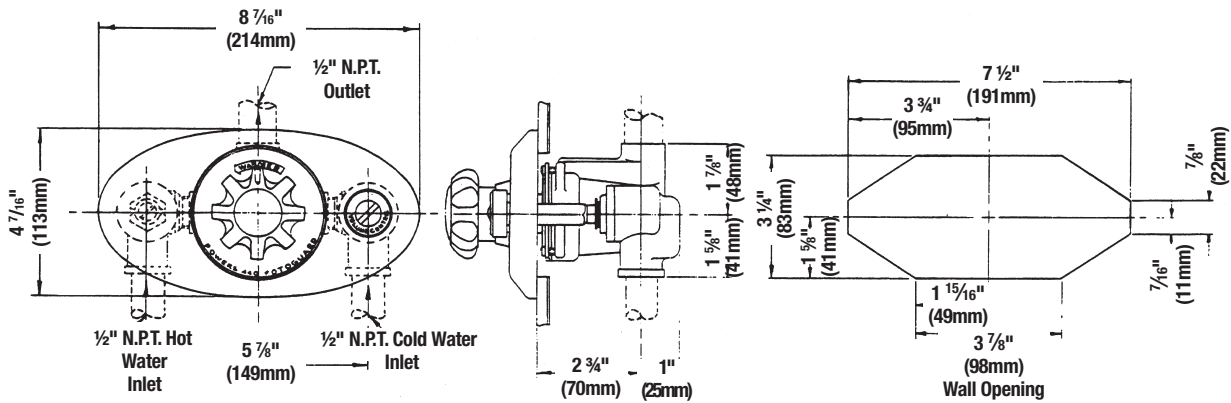
PRODUCT NUMBER 440-1510



PRODUCT NUMBER 440-1500



PRODUCT NUMBER 440-1550



POWERS™

A WATTS Brand

USA: T: (800) 669-5430 • F: (847) 229-0526 • PowersControls.com
 Canada: T: (905) 332-4090 • F: (905) 332-7068 • PowersControls.com
 Latin America: T: (52) 81-1001-8600 • PowersControls.com