

For Non-Health Hazard Applications

Job Name _____
 Job Location _____
 Engineer _____
 Approval _____

Contractor _____
 Approval _____
 Contractor's P.O. No. _____
 Representative _____

**Series 410 Pressure
 Balancing Mixing Valves**

Type P411 (3 port)/P416 (4 port) /
 Type P413 (3 port)/Type P417 (4 port)

Specifications

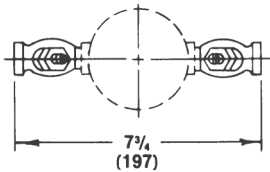
Connections	1/2" NPT inlets and outlets
Capacity	6.0 gpm @ 45 psi differential [.38l/s]
Maximum Operating Pressure	125 psig
Adjustable Limit Stop	Standard
Wall Seal Gasket	Supplied with valve
Dial Plate	Color Indicating Scale
Compliance	ASSE 1016
Certified	CSA

Application

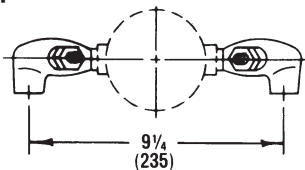
Concealed pressure balancing water mixing valve for use on shower and tub/shower installations. Use diaphragm type chamber to prevent lime build-up. Adjustable limit stop reduces possible over-adjustment of handle. Heavy cast bronze body, chrome plated die cast face plate, lucite knob type handle, and corrosion resistant material throughout ensure years of trouble-free service.

Dimensions

Type A, B, C



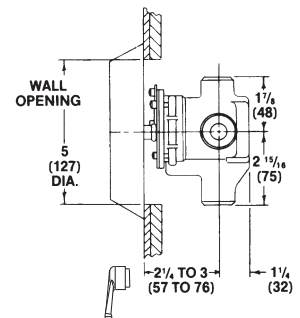
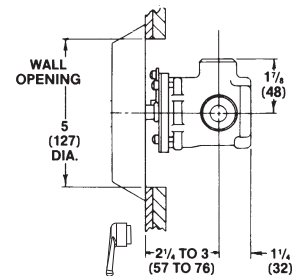
Type D



**Type P411/
 P416**



**Type P413/
 P417**



Powers product specifications in U.S. customary units and metric are approximate and are provided for reference only. For precise measurements, please contact Powers Technical Service. Powers reserves the right to change or modify product design, construction, specifications, or materials without prior notice and without incurring any obligation to make such changes and modifications on Powers products previously or subsequently sold.

Specification for Shower and Tub/Shower Systems – For Series 410 Valves

To order complete Series 410 systems...

Valves

See front page for selection of valve order code

Order Code

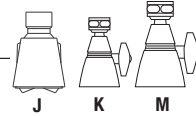
□ □ □ □ - □ - □ - □ - □ - □ - □ - □

Checkstops (Sold in Pairs)

- Concealed Straight, 1/2" IPS **A**
- Straight, 1/2" Sweat **C**
- Angled, 1/2" Sweat **D**
- Factory installation of checkstops
(Add suffix "X" to checkstop code) Min. order 10..... **X**

Showerheads

- Economizer, Chrome-Plated ABS, Adjustable..... **J**
- Standard, Chrome-Plated Brass..... **K**
- Deluxe, Chrome-Plated Brass..... **M**
- Low Flow (1.6 gpm) (Chrome-Plated)..... **G**
- Low Flow (1.5 gpm) (Chrome-Plated)..... **H**



Arm and Flange Kits

- Standard Arm and Flange..... **1**
- Deluxe Arm and Flange..... **2**
- Standard Arm/Flange & High Temp. Shutoff..... **4**
- Deluxe Arm/Flange & High Temp. Shutoff..... **5**

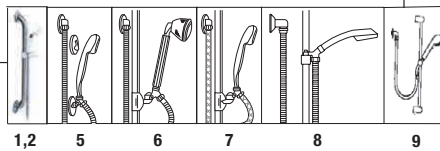
Tub Spouts

- Diverter, Chrome-Plated Brass, 3/4" IPS **Q**
- Non-Diverter, Chrome-Plated, 1/2" IPS **R**
- Diverter, Chrome-Plated, 1/2" IPS **S**
- Diverter, Chrome-Plated Brass, 1/2" IPS **T**
- Diverter, Chrome-Plated, 1/2" Slipfit **U**



Hand Shower Systems

- 24" Chrome ADA Wall Grab Bar System..... **1**
- 36" Chrome ADA Wall Grab Bar System..... **2**
- Deluxe, Metal Hose, 30" Slide Bar..... **3**
- Professional, Vinyl Hose, 30" Slide Bar..... **4**
- Standard, Metal Hose, Two Wall Hooks..... **5**
- Deluxe, Metal Hose, 24" Slide Bar..... **6**
- Professional, Vinyl Hose, 24" Slide Bar..... **7**
- Standard Plus, Metal Hose, 24" Slide Bar..... **8**
- European, Metal Hose, 23" Slide Bar..... **9**
- Low Flow (1.5 gpm) Metal Hose, 30" Glide Rail..... **L**
- Professional, Metal Hose, 30" Glide Rail..... **N**



Diverter

- Diverter, Concealed, Deluxe ABS Handle..... **A**
- Diverter, Concealed, Deluxe Metal Handle..... **B**
- Concealed Diverting Valve, 1/2" IP **Y**
- Exposed Diverter, Shower Arm-Type, Chrome-Plated..... **Z**

Vacuum Breakers

- Vacuum Breaker, Elevated, Chrome-Plated..... **V**
- Vacuum Breaker, In-Line..... **W**

POWERS™

A WATTS Brand

USA: Tel: (800) 669-5430 • Fax: (847) 229-0526 • PowersControls.com
 Canada: Tel: (905) 332-4090 • Fax: (905) 332-7068 • PowersControls.ca
 Latin America: Tel: (52) 81-1001-8600 • PowersControls.com