

For Non-Health Hazard Applications

Job Name _____	Contractor _____
Job Location _____	Approval _____
Engineer _____	Contractor's P.O. No. _____
Approval _____	Representative _____

Showerhead

Part No. 141-903C, 141-903D

Specifications

Description Fixed Showerhead with Wall Bracket and Anchor Plate, Adjustable Spray

Material Brass

Finish Polished Chrome

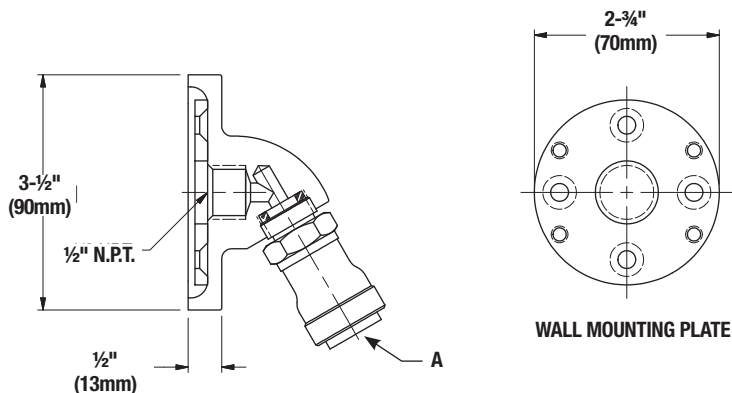
Agency/Spec Approval (Shower Head Only) ANSI A112.18.1M
IAPMO cUPC

Maximum Flow 141903C 2.5 gpm @ 80 psi (9.5 lpm @550 kPa)
141903D 1.5 gpm @ 80 psi (5.7 lpm @550 kPa)

Shipping Weight 141903C 2.7 lb (1.3 kg)
141903D 2.7 lb (1.3 kg)



Dimensions



Indicate Desired Fitting

	Part Number	A
<input type="checkbox"/>	141903C	141816
<input type="checkbox"/>	141903D	141817

Powers product specifications in U.S. customary units and metric are approximate and are provided for reference only. For precise measurements, please contact Powers Technical Service. Powers reserves the right to change or modify product design, construction, specifications, or materials without prior notice and without incurring any obligation to make such changes and modifications on Powers products previously or subsequently sold.

USA: Tel: (800) 669-5430 • Fax: (847) 229-0526 • PowersControls.com
Canada: Tel: (905) 332-4090 • Fax: (905) 332-7068 • PowersControls.ca
Latin America: Tel: (52) 81-1001-8600 • PowersControls.com

POWERS™

A WATTS Brand