

**For Non-Health Hazard Applications**

Job Name _____	Contractor _____
Job Location _____	Approval _____
Engineer _____	Contractor's P.O. No. _____
Approval _____	Representative _____

# Showerhead

## Part No. 141-816 / 141-817

### Specifications

Description ..... Adjustable Showerhead, Male Thread

Material ..... Brass

Finish ..... Polished Chrome

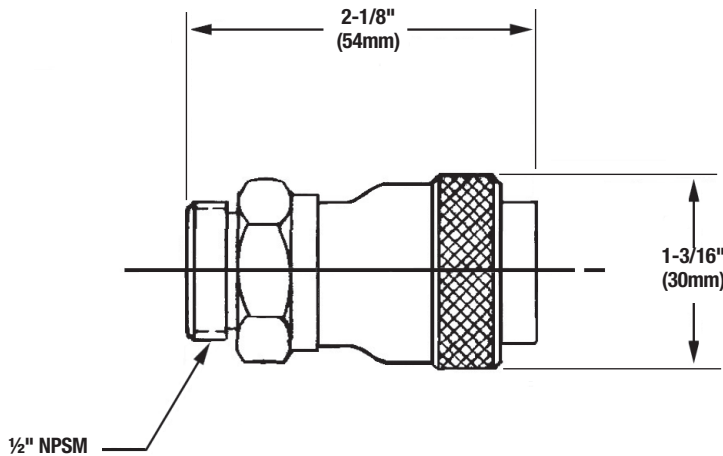
Agency/Spec Approval ..... ANSI A112.18.1M  
IAPMO cUPC

Maximum Flow ..... 141-816 ..... 2.5 gpm @ 80 psi (9.5 lpm @550 kPa)  
141-817 ..... 1.5 gpm @ 80 psi (5.7 lpm @550 kPa)

Shipping Weight ..... 1.0 lb (0.5 kg)



### Dimensions



Powers product specifications in U.S. customary units and metric are approximate and are provided for reference only. For precise measurements, please contact Powers Technical Service. Powers reserves the right to change or modify product design, construction, specifications, or materials without prior notice and without incurring any obligation to make such changes and modifications on Powers products previously or subsequently sold.

**USA:** Tel: (800) 669-5430 • Fax: (847) 229-0526 • PowersControls.com  
**Canada:** Tel: (905) 332-4090 • Fax: (905) 332-7068 • PowersControls.ca  
**Latin America:** Tel: (52) 81-1001-8600 • PowersControls.com

POWERS™

A WATTS Brand