

For Non-Health Hazard Applications

Job Name _____	Contractor _____
Job Location _____	Approval _____
Engineer _____	Contractor's P.O. No. _____
Approval _____	Representative _____

LEED Showerhead

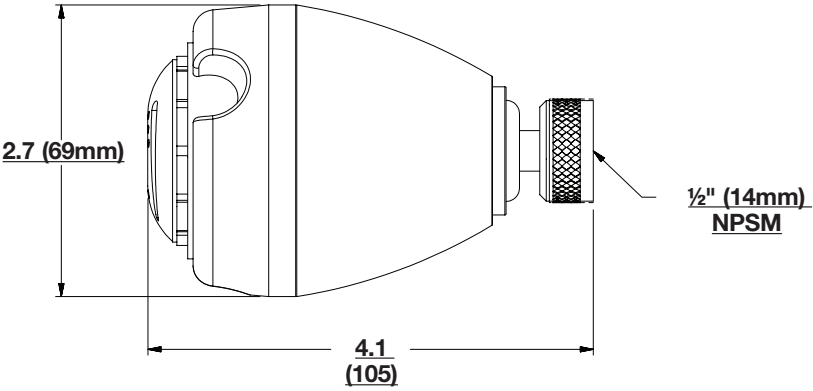
Part No. 141-801

Specifications

- Description Low Flow Showerhead, "Type H"
- Material ABS
- Finish Polished Chrome
- Agency/Spec Approval Meets ANSI
- Maximum Flow 1.50 gpm @ 80 psi
(5.6 l/min @ 550 kPa)
- Shipping Weight 0.49 lb (0.2 kgs)



Dimensions



Powers product specifications in U.S. customary units and metric are approximate and are provided for reference only. For precise measurements, please contact Powers Technical Service. Powers reserves the right to change or modify product design, construction, specifications, or materials without prior notice and without incurring any obligation to make such changes and modifications on Powers products previously or subsequently sold.

USA: Tel: (800) 669-5430 • Fax: (847) 229-0526 • PowersControls.com
Canada: Tel: (905) 332-4090 • Fax: (905) 332-7068 • PowersControls.ca
Latin America: Tel: (52) 81-1001-8600 • PowersControls.com

