

For Non-Health Hazard Applications

Job Name _____	Contractor _____
Job Location _____	Approval _____
Engineer _____	Contractor's P.O. No. _____
Approval _____	Representative _____

LEAD FREE*

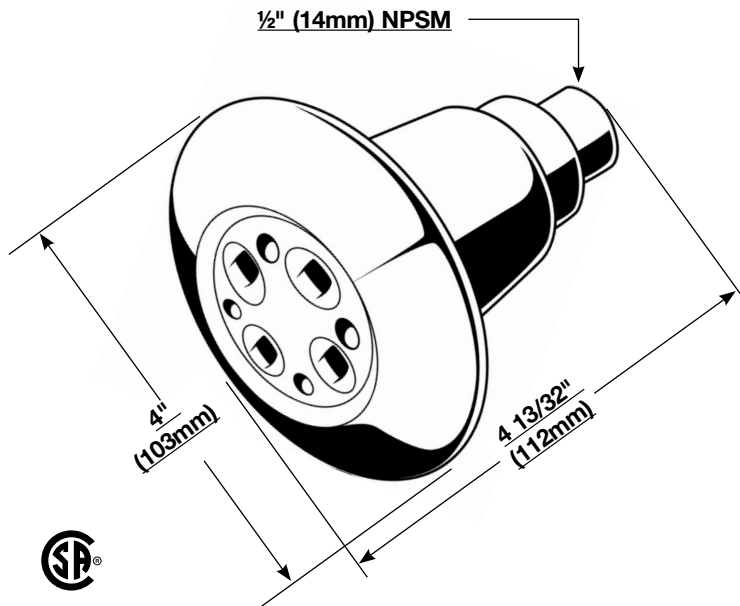
LEED Showerhead

Part No. 141-800

Specifications

Description	Low Flow Showerhead, "Type G"
Material	ABS
Finish	Polished Chrome
Agency/Spec Approval	ANSI A112.18.1M CSA B125.1
Maximum Flow	1.50 gpm @ 80 psi (5.6 l/min @ 550 kPa)
Shipping Weight	2.5 lb (1.1 kgs)

Dimensions



* The wetted surface of this product contacted by consumable water contains less than one quarter of one percent (0.25%) of lead by weight.

Powers product specifications in U.S. customary units and metric are approximate and are provided for reference only. For precise measurements, please contact Powers Technical Service. Powers reserves the right to change or modify product design, construction, specifications, or materials without prior notice and without incurring any obligation to make such changes and modifications on Powers products previously or subsequently sold.

USA: Tel: (800) 669-5430 • Fax: (847) 229-0526 • PowersControls.com
Canada: Tel: (905) 332-4090 • Fax: (905) 332-7068 • PowersControls.ca
Latin America: Tel: (52) 81-1001-8600 • PowersControls.com

POWERS™
A WATTS Brand