

**For Non-Health Hazard Applications**

Job Name \_\_\_\_\_

Contractor \_\_\_\_\_

Job Location \_\_\_\_\_

Approval \_\_\_\_\_

Engineer \_\_\_\_\_

Contractor's P.O. No. \_\_\_\_\_

Approval \_\_\_\_\_

Representative \_\_\_\_\_

# Tub Spout

## Part No. 141-349

### Specifications

Description ..... ½" (15mm) Diverter Spout, Type "S"

Material ..... Zinc

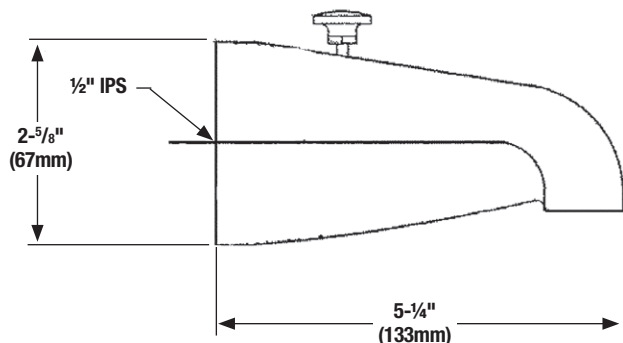
Finish ..... Chrome Plated

Agency/Spec Approval ..... ANSI A112.18.1M  
CSA B125

Shipping Weight ..... 0.7 lbs. (0.3 kg)



### Dimensions



Powers product specifications in U.S. customary units and metric are approximate and are provided for reference only. For precise measurements, please contact Powers Technical Service. Powers reserves the right to change or modify product design, construction, specifications, or materials without prior notice and without incurring any obligation to make such changes and modifications on Powers products previously or subsequently sold.

**USA:** Tel: (800) 669-5430 • Fax: (847) 229-0526 • PowersControls.com  
**Canada:** Tel: (905) 332-4090 • Fax: (905) 332-7068 • PowersControls.ca  
**Latin America:** Tel: (52) 81-1001-8600 • PowersControls.com

**POWERS™**  
**A WATTS Brand**