

**For Non-Health Hazard Applications**

Job Name \_\_\_\_\_  
 Job Location \_\_\_\_\_  
 Engineer \_\_\_\_\_  
 Approval \_\_\_\_\_

Contractor \_\_\_\_\_  
 Approval \_\_\_\_\_  
 Contractor's P.O. No. \_\_\_\_\_  
 Representative \_\_\_\_\_

# LEED Hand Showers

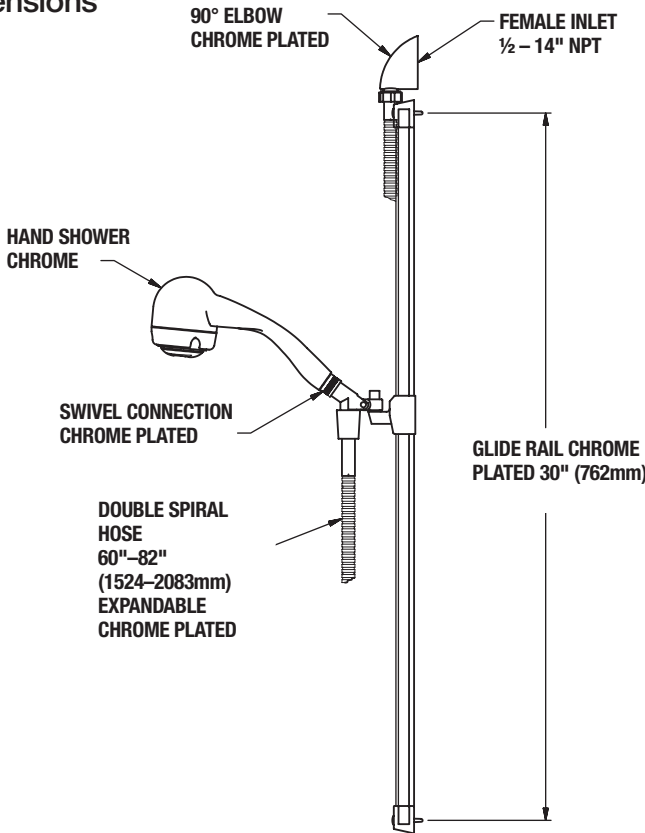
## Part No. 141-150

### Specifications

Description . . . . . Low Flow Hand Shower, Type "L"  
 Finish . . . . . Chrome Plated  
 Agency/Spec Approval . . . . . Meets ANSI  
 Maximum Flow . . . . . 1.5 gpm @ 80 psi (5.7 l/min @ 550 kPa)  
 Shipping Weight . . . . . 5.0 lbs (2.3 kgs)



### Dimensions



Powers product specifications in U.S. customary units and metric are approximate and are provided for reference only. For precise measurements, please contact Powers Technical Service. Powers reserves the right to change or modify product design, construction, specifications, or materials without prior notice and without incurring any obligation to make such changes and modifications on Powers products previously or subsequently sold.

**POWERS™**

**A WATTS Brand**

**USA:** Tel: (800) 669-5430 • Fax: (847) 229-0526 • PowersControls.com  
**Canada:** Tel: (905) 332-4090 • Fax: (905) 332-7068 • PowersControls.ca  
**Latin America:** Tel: (52) 81-1001-8600 • PowersControls.com