

## For Commercial, Residential and Food Service Applications

Job Name \_\_\_\_\_

Contractor \_\_\_\_\_

Job Location \_\_\_\_\_

Approval \_\_\_\_\_

Engineer \_\_\_\_\_

Contractor's P.O. No. \_\_\_\_\_

Approval \_\_\_\_\_

Representative \_\_\_\_\_

# Model OFTWH

## OneFlow® Anti-Scale System

Connection Sizes: ¾" (20mm)

Flow Rates: From 0.5 gpm to 10 gpm (1.9 lpm to 38 lpm)

The OneFlow® Anti-Scale System provides protection from scale formation on internal plumbing surfaces. The OneFlow® system is a single cartridge-based system that must be installed on a cold water line prior to a water-heating device (water heater or tankless water heater) for single tankless heaters.

OneFlow® prevents scale by transforming dissolved hardness minerals into harmless, inactive microscopic crystal particles. These crystals stay suspended in the water and are passed to drain. The system requires very little maintenance, no back-washing, no salt and no electricity. Typical hardness problems, especially build-up of scale in heating elements, pipes, water heaters, boilers and on fixtures are no longer a concern.

OneFlow® is not a water softener. It does not add chemicals. It is a scale prevention device with proven third party laboratory test data and years of successful commercial, residential and food service applications. OneFlow® is the intelligent scale solution and is a great alternative to water softening (ion exchange) or scale sequestering devices.

### Features

- Chemical-free scale prevention and protection - converts hardness minerals to harmless, inactive microscopic crystals making OneFlow® an effective alternative technology to a water softener for the prevention of scale due to water hardness
- Virtually maintenance free - No salt bags or other chemicals to constantly add or maintain
- No control valve, no electricity and no wastewater
- Uses environmentally friendly "green" technology
- Improves efficiency of all water heating devices and downstream plumbing components.
- Simple sizing & installation – standard ¾" connections
- Perfect system for restaurants, cafeterias, coffee shops and homes where multiple or single equipment protection is desired for longer equipment life and reduced energy consumption
- Inlet ball valve for easy isolation shutoff and filter changes
- OneFlow® cartridge-based systems are easily maintained; change the cartridge once every two years
- Easily installed mounting bracket included w/filter wrench to allow cartridge change-outs when necessary

\*The wetted surface of this product contacted by consumable water contains less than 0.25% of lead by weight.

### NOTICE

For hot water applications where water temperature is 100°F - 140°F (38°C - 60°C), please consult ES-OneFlow-Hot Water.

Watts product specifications in U.S. customary units and metric are approximate and are provided for reference only. For precise measurements, please contact Watts Technical Service. Watts reserves the right to change or modify product design, construction, specifications, or materials without prior notice and without incurring any obligation to make such changes and modifications on Watts products previously or subsequently sold.



### Models

Model	Peak Flow Rate	Connection Size
OFTWH	10 gpm (38 lpm)	¾" (20mm) FNPT

### Replacement Cartridge

OFTWHRM Cartridge should be replaced every 2 YEARS.

### Specifications

A OneFlow® scale prevention system shall be installed on the cold water service line to condition the tap water just prior to the service line feeding the equipment it is designed to protect. The system will be sized for maximum or peak flow rate based on the specification of said equipment. A OneFlow® system may also be installed to protect multiple pieces of equipment from the ill-effects of hard water scale provided the aggregate peak flow rate for each piece of equipment it is protecting has been considered. The system shall be plumbed with a bypass valve to allow isolation of filter housing to allow the bypass of untreated water in the event that service or cartridge replacement be necessary. The installation area should be suitable in size for the housing to be serviced without encumbrance and the system should be installed per the Installation, Operation & Maintenance manual as provided with each system.

The OneFlow® system must not require additional waste water to backwash, flush, or regenerate once put into service. The system shall not require any chemical additives and shall not require electricity for operation.

### NOTICE

Copper lines need to be passivized for a minimum of 4 weeks before placing unit into service. Not for use on closed loop systems.



## Feed Water Chemistry Requirements

pH	6.5-8.5
Hardness (maximum)	75 grains (1282 ppm CaCO <sub>3</sub> )
Water Pressure	15 psi to 100 psi (1.03 bar to 6.9 bar)
Temperature	40°F to 110°F (5°C to 43°C)
Free Chlorine	< 2 ppm
Iron (maximum)	0.3 ppm
Manganese (maximum)	0.05 ppm
Copper	1.3 ppm*
Oil & H <sub>2</sub> S	Must be Removed Prior to OneFlow
Polyphosphates	Must be Removed Prior to OneFlow
Silica (maximum)	20 ppm**

### ⚠ WARNING

\* High levels of Copper will foul OneFlow media and typically originates from new Copper plumbing. Wait a minimum of 4 weeks before placing system in operation. Avoid applying excess flux on the inner surfaces of the pipe and to use a low-corrosivity water soluble flux listed under the ASTM B813 standard.

### NOTICE

\*\* OneFlow media does not reduce silica scaling. Silica can act as a binder that makes water spots and scale residue outside the plumbing system difficult to remove. This 20 ppm limitation is for aesthetic purposes.

## System Specifications

**Inlet/Outlet Connections:** 3/4" FNPT

**Service Flow Rate:** 0.5 gpm to 10 gpm (1.9 lpm to 38 lpm)

**Gallon Rating:** OFTWH: up to 6 gpm, 24/7/365 for 2 years for the OFTWHRM.

**Capacity:** OFTWHRM cartridge does not have a grain removal capacity, however, other contaminants present in the water will gradually degrade the effectiveness of this cartridge. Change the OFTWHRM cartridge at least once every two years.

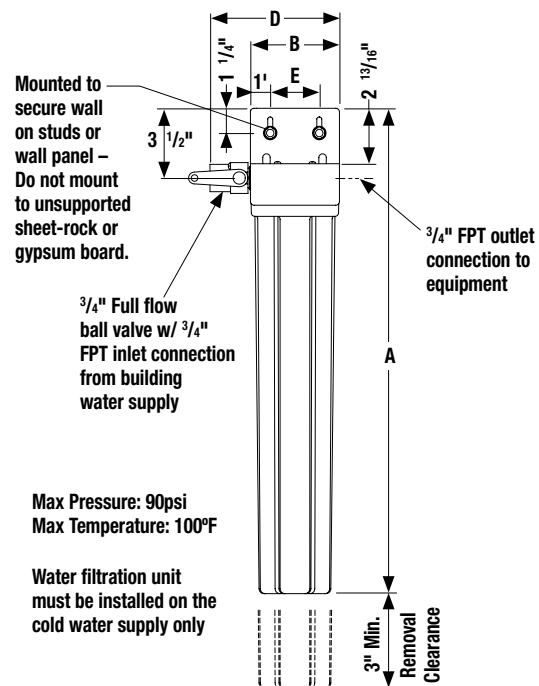
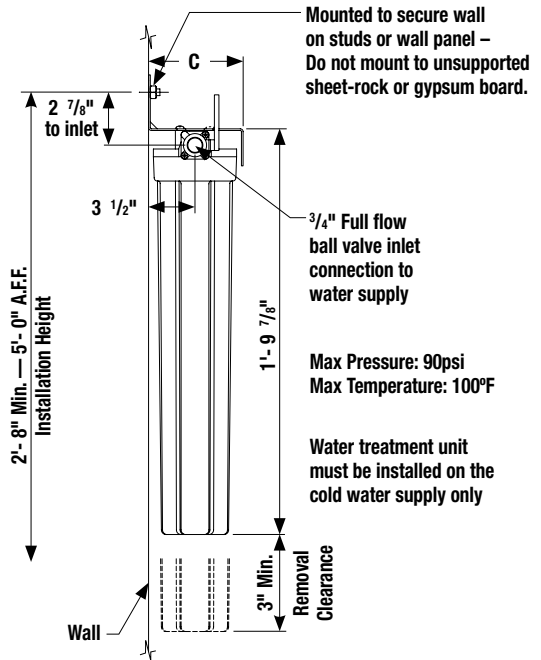
## Standards

Independent scientific testing has confirmed Template Assisted Crystallization (TAC) technology provides scale reduction of over 95+%. Testing was conducted under protocol based on DVGW W512 test to access control of scale formation.

## Dimensions — Weights

Model	Dimensions								Weight			
	A		B		C		D		E			
	in.	cm	in.	cm	in.	cm	in.	cm	in.	cm	lbs.	kgs
OFTWH	26	66	7 3/4	20	8 5/8	23	9 1/16	25	5 3/4	15	19	8.6

The overall height and the height of the inlet fitting varies due to material variations and assembly tolerances. Please allow additional clearance above the filter for making connections.



### NOTICE

The information contained herein is not intended to replace the full product installation and safety information available or the experience of a trained product installer. You are required to thoroughly read all installation instructions and product safety information before beginning the installation of this product.