

Models: 792MFH, 794MFH, 796MFH

Ball-Plex™ Stainless Steel Flanged Ends Duplex Strainers Sizes: 2" - 6" (50 - 150mm)

Pressure/Temperature - Non-Shock		
Model	Material	Rating
792MFH	Stainless Steel	275psi @ -20 to 100°F
		19.0 bar @ 38°C
		235psi @ 200°F 16.2 Bar @ 100°C
794MFH	Stainless Steel	720 psi @ -20 to 100°F
		49.6 bar @ 38°C
		620psi @ 200°F 42.2 bar @ 100°C
796MFH	Stainless Steel	720psi @ -20 to 100°F
		49.6 bar @ 38°C
		620psi @ 200°F 42.2 bar @ 100°C

* Max. temp. can be limited by gasket and seat material. Consult factory.

792MFH **Class 150**
794MFH **Class 300**
****796MFH** **Class 600**



Model 792MFH

⚠ WARNING

The 796FH is a Class 300 Strainer drilled for Class 600 Flanges.

Bolted Covers required above 150 psi or 200°F.

Strainers provide positive and inexpensive protection for costly pumps, meters, valves, and other similar mechanical equipment by straining foreign matter from the connected piping system. Installation of a strainer before mechanical equipment can ensure trouble free service and avoid costly shutdowns for repair or replacement of equipment damaged by foreign matter. The size of the perforation or mesh in the basket screen will determine the smallest particles captured. See Strainer Information section of the Mueller Steam Specialty Engineering binder for detailed information including sizes and materials available.

Typical Service

- Duplex Strainers are designed for use in fluid handling systems where the flow cannot be shut down for basket cleaning.
- Typical services include cooling water, compressors, condensers, fire lines, fuel lines, lubrication systems, salt and fresh water systems, chemical process systems, pump suction service, and more.
- Consider strainer body and screen material as well as gasket and seat materials for suitability for particular service.

Features

- Ball-Plex™ Duplex Strainers use 3-way balls as the diverter valves
- Balls are 316SS for corrosion resistance, strength, and resistance to build-up of solids on the balls' surfaces.
- PTFE seats provide bubble-tight sealing, superior to metal seats in other designs. This eliminates potentially dangerous leakage into the chamber being cleaned.
- The pressurized chamber in use is covered by the handle. This prevents accidental opening of the pressurized chamber, and allows easy access to the chamber to be cleaned.
- NEW! Three Piece Design!
- Center body casting holds all moving parts. Baskets housings are identical and symmetrical around the body.
- After removal of either basket housing, all internal components are easily accessible for service, even with the unit still installed in line.

Baskets

- Large open area ratios ensure minimum pressure drop across the unit.
- See Pressure Drop Charts in the Technical Data section of the Mueller Steam Specialty Engineering binder.

MODEL	SIZES	STANDARD (WATER)	
		MATERIAL	OPENING
792MFH, 794MFH, 796MFH	2" - 4"	304SS	.062
	5" - 6"	304SS	.125

Job Name _____
 Job Location _____
 Engineer _____
 Approval _____

Contractor _____
 Approval _____
 Contractor's P.O. No. _____
 Representative _____

Material

	792MFH, 794MFH, 796MFH
Body	316 Stainless Steel ASTM A351 Grade CF8M
Cover	316 Stainless Steel ASTM A351 Grade CF8M
Seats	PTFE
O-Rings	Viton®

Pickling and passivation available on request, consult factory.

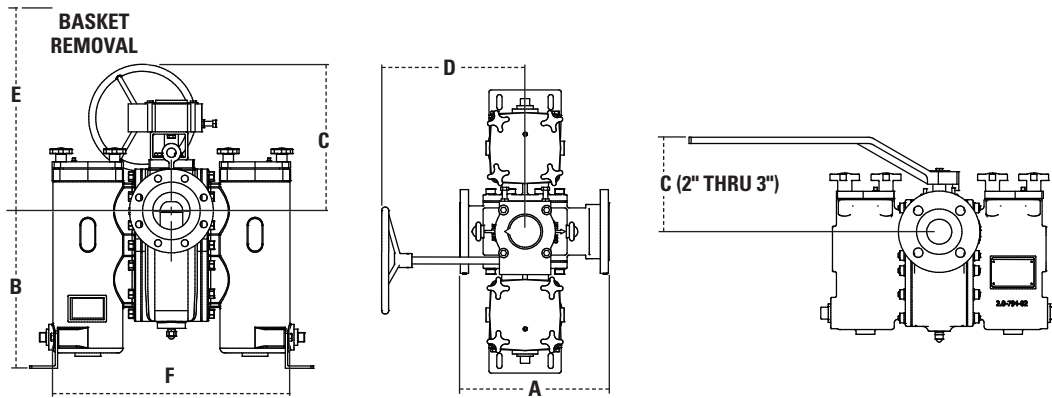
*Alternate seats and O-ring materials available.

Reference Standards

ASME B16.5 Pipe Flanges and Flanged Fittings

ASME B16.34 Valves - Flanged, Threaded and Welding End

Dimensions and Weights



Models 792MF, 794MF

SIZE		DIMENSIONS										WEIGHT				C _v VALUE						
		A		B		C		D		E		F		G (NPT)		792		794				
		CLASS 150		CLASS 300												lbs.	kgs.	lbs.	kgs.			
in.	mm	in.	mm	in.	mm	in.	mm	in.	mm	in.	mm	in.	mm	in.	mm							
2"	51	10 ⁵ / ₈	270	10 ⁵ / ₈	270	8 ³ / ₁₆	208	7 ¹ / ₂	191	20	508	12 ⁵ / ₈	321	16 ³ / ₈	416	1 ¹ / ₄	32	115	52	121	55	45
2 ¹ / ₂ "	64	13 ¹ / ₂	343	14 ¹ / ₄	362	12	305	8 ⁵ / ₁₆	211	20	508	18	457	21	533	1 ¹ / ₂	38	223	101	233	106	45
3"	76	13 ¹ / ₂	343	14 ¹ / ₄	362	12	305	8 ⁵ / ₁₆	211	20	508	18	457	21	533	1 ¹ / ₂	38	223	101	233	106	110
4"	102	16	406	16 ¹ / ₂	419	16 ⁷ / ₈	429	15 ³ / ₄	400	15 ³ / ₈	403	23 ³ / ₈	594	25 ¹ / ₂	648	1 ¹ / ₂	38	443	201	466	211	160
5"	127	22	559	22 ⁷ / ₈	581	18 ¹ / ₂	470	17 ¹ / ₂	445	15 ³ / ₈	403	23 ⁷ / ₈	606	26 ⁵ / ₈	276	1 ¹ / ₂	38	820	372	850	385	450
6"	152	22	559	22 ⁷ / ₈	581	18 ¹ / ₂	470	17 ¹ / ₂	445	15 ³ / ₈	403	23 ⁷ / ₈	606	26 ⁵ / ₈	276	1 ¹ / ₂	38	820	372	850	385	450

Mueller Steam Specialty product specifications in U.S. customary units and metric are approximate and are provided for reference only. For precise measurements, please contact Mueller Steam Specialty Technical Service. Mueller Steam Specialty reserves the right to change or modify product design, construction, specifications, or materials without prior notice and without incurring any obligation to make such changes and modifications on Mueller Steam Specialty products previously or subsequently sold.



A Watts Water Technologies Company



USA: Tel: (800) 334-6259 • Fax: (800) 421-6772 • muellersteam.com
Latin America: Tel: (52) 81-1001-8600 • muellersteam.com