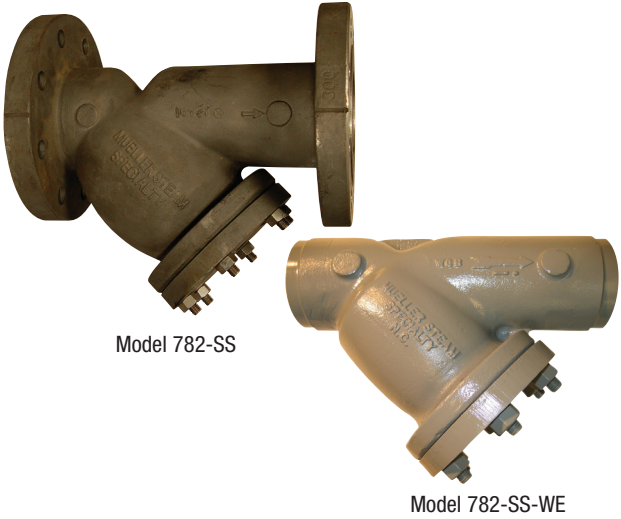


Models: 782SS*, 782SS-WE

Job Name _____
 Job Location _____
 Engineer _____
 Approval _____

Contractor _____
 Approval _____
 Contractor's P.O. No. _____
 Representative _____

LEAD FREE*
**Cast Stainless Steel
 Flanged & Butt Weld
 End Y Strainers**
 Model: 782SS*, 782SS-WE
 Sizes: 1/2" - 12"



PRESSURE/TEMPERATURE-NON-SHOCK		
MODEL	MATERIAL	RATING
782-SS	Stainless Steel	720psi @ -20°F to 100°F
782-SS-WE		49.64 bar @ 37.78°C
		420psi @ 850°F
		28.96 bar @ 454.44°C

782-SS Class 300
782-SS-WE Class 300

Features

- Machined seats in both body and cap align and lock the screen in place to stop sediment bypass.
- Machined seats facilitate alignment and accurate reseating after servicing.

Construction

- Designed for Class 300 specifications.
- Heavy gauge reinforced screens are used.

IMPORTANT NOTE: Model 782-SS-WE ends are machined to match Schedule 40 pipe. Other connections are available, consult factory. Model 782-SS flanges are raised face flanges

Self-Cleaning

- Self-cleaning is accomplished by opening the plug or valve connected to the blowoff outlet.

Blowoff Outlets

- Blowoff outlets are NPT tapped at location C. See next page for NPT sizes.
- Blind covers are available, consult factory.

*782/782-WE supersede model 762/762-WE. 762/762-WE still available upon request

Capacity

- Generously proportioned bodies.
- Open Area Ratio much greater than pipe size, ensuring low pressure drop.

Screens

MODEL	SIZES	STANDARD (WATER)		STEAM RECOMMENDATION	
		MATERIAL	OPENING	MATERIAL	OPENING
All	1/2" - 4"	304SS	.062 perf	304SS	.033 perf
	5" - 10"	304SS	.125 perf	304SS	.062 perf

NOTICE

The information contained herein is not intended to replace the full product installation and safety information available or the experience of a trained product installer. You are required to thoroughly read all installation instructions and product safety information before beginning the installation of this product.

***The wetted surface of this product contacted by consumable water contains less than 0.25% of lead by weight.**

Mueller Steam Specialty product specifications in U.S. customary units and metric are approximate and are provided for reference only. For precise measurements, please contact Mueller Steam Specialty Technical Service. Mueller Steam Specialty reserves the right to change or modify product design, construction, specifications, or materials without prior notice and without incurring any obligation to make such changes and modifications on Mueller Steam Specialty products previously or subsequently sold.



Material

BILL OF MATERIAL MODELS 782SS,782SS-WE		
ITEM	DESCRIPTION	MATERIAL
1	BODY	Stainless Steel ASTM A351 Grade CF8M
2	COVER **	Stainless Steel ASTM A351 Grade CF8M
3	SCREEN	304 SS
4	GASKET	316 Tanged Graphoil
5	STUDS	A193 B16
6	NUTS	A194 Gr. 4

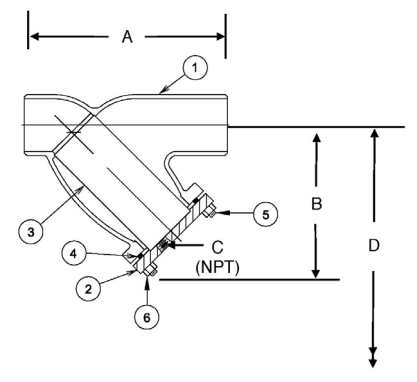
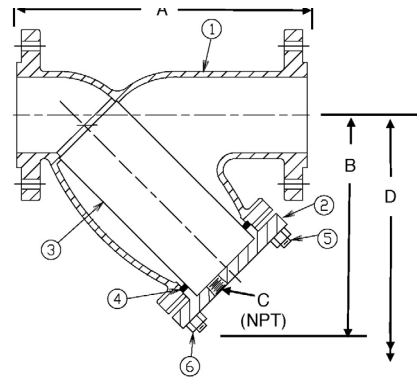
** Cover may be manufactured from equivalent grade plate material

Pressure Drop

See Pressure Drop Charts in Technical Data section of the Mueller Steam Specialty Engineering binder. Cv values are noted in the Dimensions and Weights table below.

Dimensions and Weights

SIZE	DIMENSIONS								WEIGHT		Cv
	A		B		C (NPT)		D Screen Removal		in.	mm	
	in.	mm	in.	mm	in.	mm	in.	mm	in.	mm	GPM
782-SS											
1/2	6 1/8	155	3 1/2	89	3/8	10	5	130	5.5	2.5	8
3/4	7 1/4	197	3 3/4	95	1/2	15	5	130	12.3	5.5	15
1	7 7/8	200	3 3/4	95	1/2	15	5	130	13	5.9	22
1 1/4	7 1/2	191	4 1/4	121	1/2	15	8	203	18.3	8.2	38
1 1/2	48 1/4	210	4 3/4	121	1/2	15	8	203	18	8.1	42
2	58 5/8	219	5 1/4	133	1/2	15	7	178	22	10	70
2 1/2	10 5/8	269	6 1/2	165	1	25	9 3/4	248	32	14.5	110
3	12	305	7	178	1	25	10	254	49	22	140
4	14 1/2	368	8 1/4	210	1 1/2	40	12	305	90	40	245
5	19 5/16	491	13 3/4	343	2	50	20	508	120	54.5	400
6	19 5/16	491	13 1/2	343	2	50	20	508	175	79	600
8	23 3/8	594	15 3/4	400	2	50	22 3/4	578	300	136	1,000
10	27 3/8	695	18 1/2	470	2	50	28	711	440	200	1,580
12	32	813	22 1/4	565	2	50	30	762	650	295	2,200
14	36	914	25	635	2	50	36 1/2	927	1365	619	3,200
16	41 1/16	1056	26 1/2	673	2	50	42	1067	1936	878	4,900
18	46	1168	34 7/8	886	2	50	50 7/8	1292	2576	1168	6,100
20	49 1/2	1257	39	991	2	50	55 5/8	1407	3111	1411	8,000
24	58 5/8	1483	44 1/16	1119	2	50	67 1/4	1708	5305	2406	11,000
782-SS-WE											
1/2	6 5/8	168	3 1/2	89	3/8	10	5	130	3	1.3	8
3/4	8 5/16	211	3 3/4	95	1/2	15	5	130	9	4	15
1	8 7/16	211	3 3/4	95	1/2	15	5	130	9	4	22
1 1/4	10 1/8	260	5 1/4	133	1/2	15	8	203	12	5.4	38
1 1/2	10 1/4	279	5 1/4	133	1/2	15	8	203	13	5.9	42
2	8 3/8	219	5 1/4	133	1/2	15	7	178	10	4.5	70
2 1/2	10 5/8	269	6 1/2	165	1	25	9 3/4	248	14	6.3	110
3	12	305	7	178	1	25	10	254	20	9	140
4	14 1/2	368	8 1/4	210	1 1/2	40	12	305	40	18	245
5	16 3/8	416	11 1/4	286	2	50	20	508	80	36	400
6	19 5/16	491	13 3/4	343	2	50	20	508	90	40	600
8	23 3/8	594	15 3/4	400	2	50	22 3/4	578	168	76	1,000
10	27 3/8	695	18 1/2	470	2	50	28	711	250	113	1,580
12	32	813	22 1/4	565	2	50	30	762	440	200	2,200
14	36	914	25	635	2	50	36 1/2	927	1033	468	3,200
16	41 3/4	1060	26 1/2	673	2	50	42	1067	1520	639	4,900
18	46	1168	34 7/8	886	2	50	50 7/8	1292	2060	934	6,100
20	49 1/2	1257	39	991	2	50	55 5/8	1407	2471	1120	8,000
24	58 1/2	1486	44 1/16	1119	2	50	67 1/4	1708	4500	2040	11,000



Limited Warranty: Mueller Steam Specialty warrants each product to be free from defects in material and workmanship under normal usage for a period of one year from the date of original shipment. In the event of such defects within the warranty period, the Company will, at its option, replace or recondition the product without charge. This shall constitute the sole and exclusive remedy for breach of warranty, and the Company shall not be responsible for any incidental, special or consequential damages, including without limitation, lost profits or the cost of repairing or replacing other property which is damaged if this product does not work properly, other costs resulting from labor charges, delays, vandalism, negligence, fouling caused by foreign material, damage from adverse water conditions, chemical, or any other circumstances over which the Company has no control. This warranty shall be invalidated by any abuse, misuse, misapplication or improper installation of the product. **THIS WARRANTY IS IN LIEU OF ALL OTHER WARRANTIES, EXPRESS OR IMPLIED, INCLUDING ANY IMPLIED WARRANTIES OF MERCHANTABILITY OR FITNESS FOR A PARTICULAR PURPOSE.** Any implied warranties that are imposed by law are limited in duration to one year.

Some States do not allow limitations on how long an implied warranty lasts, and some States do not allow the exclusion or limitation of incidental or consequential damages. Therefore the above limitations may not apply to you. This Limited Warranty gives you specific legal rights, and you may have other rights that vary from State to State. You should consult applicable state laws to determine your rights.



A WATTS Brand

USA: T: (800) 334-6259 • F: (800) 421-6772 • MuellerSteam.com

Latin America: T: (52) 81-1001-8600 • MuellerSteam.com