

# Models: 185, 186

## Cast Steel & Alloy Flanged End Basket Strainers Sizes: 1½" - 20" (40 - 500mm)

Pressure/Temperature–Non-Shock		
Model	Material	Rating
185	Carbon Steel	285psi @-20°F to 100°F
		19.65 bar @ 37.78°C
		150psi @ 565°F 10.34 bar @ 296.11
185	Chrome Molly	290psi @-20°F to 100°F
		19.99 bar @ 37.78°C
		150psi @ 565°F 10.34 bar @ 296.11°C
186	Carbon Steel	740psi @-20°F to 100°F
		51.02 bar @ 37.78°C
		320psi @ 850°F 22.06 bar @ 454.44°C
186	Chrome Molly	750psi @-20°F to 100°F
		51.71 bar @ 37.78°C
		485psi @ 850°F 33.44 bar @ 454.44°C

Max. temp. can be limited by gasket material. Consult factory.

**185**  
**186**

**Class 150**  
**Class 300**



Models 185, 186

Strainers provide economical protection for costly pumps, meters, valves, and other similar mechanical equipment by straining foreign matter from the connected piping system. Installation of a strainer before mechanical equipment can ensure trouble free service and avoid costly shutdowns for repair or replacement of equipment damaged by foreign matter. The size of the perforation or mesh in the basket screen will determine the smallest particles captured. See Strainer Information section of Mueller Steam Specialty Engineering binder for detailed information including sizes and materials available.

### Typical Service

- These rugged strainers can be specified for many applications in chemical processes, including brine, paint, fuel oil, organic and inorganic chemicals, as well as condensers and heat exchangers, to name just a few.
- They are especially suited for medium or coarse straining. For finer straining, see Model 125F-CS or 126F-CS.

### Features

- The angular cutaway design of the baskets allows a straight through flow, resulting in extremely low pressure drop.
- Tapped and plugged NPT drain on the strainer bottom enables easy self-cleaning on open bottom baskets. Simply open the valve or plug on the outlet to flush accumulated particles.
- Bodies can be tapped for pressure gauges, or per customer requirement, consult factory.

### Construction

- Cover is a flanged bolted design for easy basket removal.

### Capacity

- Large bodies and generous sized baskets
- Minimum 6 to 1 ratio.

### Special Coating and Treatments

- Epoxy and other corrosion resistant coatings are available on Carbon Steel, consult factory

### Steam Jacketing

Available on request, consult factory.

### Baskets

MODEL	SIZES	STANDARD (WATER)		STEAM RECOMMENDATION	
		MATERIAL	OPENING	MATERIAL	OPENING
185, 186	1½" - 4"	304SS	.062 perf	304SS	.045 perf
185, 186	5" and Up	304SS	.125 perf	Consult Factory	

Job Name \_\_\_\_\_

Contractor \_\_\_\_\_

Job Location \_\_\_\_\_

Approval \_\_\_\_\_

Engineer \_\_\_\_\_

Contractor's P.O. No. \_\_\_\_\_

Approval \_\_\_\_\_

Representative \_\_\_\_\_

## Material

	185	186
Body	Cast Carbon Steel ASTM A216-WCB	Cast Carbon Steel ASTM A216-WCB
Cover	A516-70 Plate	A516-70 Plate
Gasket	Compressed Fiber	Compressed Fiber

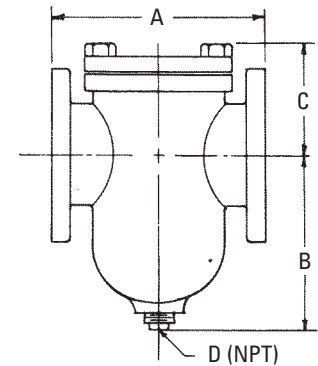
Also available in Chrome-Moly ASTM A217 Grades WC6, WC9

## Pressure Drop

See Pressure Drop Charts in Technical Data section of the Mueller Steam Specialty Engineering binder.

## Dimensions and Weights

SIZE		DIMENSIONS								WEIGHT	
		A		B		C		D (NPT)		lbs.	kgs.
in.	mm	in.	mm	in.	mm	in.	mm	in.	mm		
<b>185</b>											
1½"	40	6½	165	4½	105	4	102	½	15	23	10.4
2"	50	8½	216	5½	149	4¾	121	½	15	34	15.4
2½"	65	8	203	5⅞	138	4¼	108	¾	20	34	15.4
3"	80	8¾	222	5¼	133	5½	140	¾	20	46	20
4"	100	11¾	284	7½	200	6	152	1	25	70	31
5"	125	12¼	311	10¼	260	5⅝	143	1	25	108	49
6"	150	13⅞	352	12½	318	5⅞	148	1¼	32	168	76
8"	200	17⅞	441	15½	384	8	203	1½	40	234	106
10"	250	22	549	16	406	10⅝	264	1½	40	402	182
12"	300	25	635	23¾	603	12⅝	314	2	50	692	314
14"	350	47⅞	1197	34⅝	873	20⅞	513	2	50	CF	CF
16"	400	47⅞	1197	34⅝	873	20⅞	513	2	50	CF	CF
18"	450	34	864	36	914	16¼	413	2	50	CF	CF
20"	500	36¾	934	40⅞	1038	17	432	2	50	CF	CF
<b>186</b>											
1½"	40	7	178	4½	105	4	102	½	15	23.3	11.6
2"	50	8½	216	5½	149	4¾	121	½	15	34.3	15.5
2½"	65	8⅞	221	5⅞	138	4¼	108	¾	20	39.8	17
3"	80	9⅞	243	5¼	133	5½	140	¾	20	54	24
4"	100	11¾	298	7½	200	6	152	1	25	86	39
5"	125	13⅞	333	10¼	260	5⅝	143	1	25	121	55
6"	150	14¾	375	12½	318	5⅞	148	1¼	32	196	89
8"	200	18⅞	460	15½	384	8	203	1½	40	292	132
10"	250	22⅞	581	16	406	10⅝	264	1½	40	460	209
12"	300	25⅞	645	23¾	603	12⅝	314	2	50	790	359
14"	350	47⅞	1197	34⅝	873	20⅞	513	2	50	CF	CF
16"	400	47⅞	1197	34⅝	873	20⅞	513	2	50	CF	CF
18"	450	35⅞	905	36	914	16¼	413	2	50	CF	CF
20"	500	38⅞	975	40⅞	1038	17	432	2	50	CF	CF



Models 185, 186

Apply For Certified Drawings.

Larger sizes available.

Mueller Steam Specialty product specifications in U.S. customary units and metric are approximate and are provided for reference only. For precise measurements, please contact Mueller Steam Specialty Technical Service. Mueller Steam Specialty reserves the right to change or modify product design, construction, specifications, or materials without prior notice and without incurring any obligation to make such changes and modifications on Mueller Steam Specialty products previously or subsequently sold.



A Watts Water Technologies Company

USA: St. Pauls, NC • Tel. 1-800-334-6259 • Fax 1-800-421-6772 • www.muellersteam.com

ES-MS-185\_186 1020



ISO 9001-2008  
CERTIFIED

© 2010 Mueller Steam Specialty