

For Residential and Commercial Applications

Job Name _____

Contractor _____

Job Location _____

Approval _____

Engineer _____

Contractor's P.O. No. _____

Approval _____

Representative _____

LEAD FREE*

Series LFX65B Water Pressure Reducing Valves** Rough-In Kit and Cartridge Assembly

Sizes: 1/2" – 2" (15 – 50mm)

Series LFX65B Water Pressure Reducing Valves are cartridge style regulators and are orderable three ways: Complete, ready-to-install Regulators, or separate Rough-in Kits consisting of a Lead Free* cast copper silicon alloy body with integral strainer, or separate Cartridge Assemblies.

The Rough-in Kit is installed permanently into the water line eliminating the need for jumper kits. The unique strainer/cap assembly is used during the construction phase. Later at system startup, remove the strainer/cap assembly and insert the Cartridge Assembly. The Strainer is easy to clean once you remove the cap with a wrench.

The Cartridge Assembly is simply installed by removing the strainer/cap assembly and inserting the Cartridge Assembly into the valve body and turning clockwise—no tools needed for installation.

The innovative spring Cartridge Assembly design allows for easy replacement in-line if service is needed. Cartridge Assemblies are available in a standard pressure range of 20 - 80psi (138 - 552 kPa), preset at the factory to 50psi (345 kPa) or in a high-pressure (HP) range of 50 - 150psi (345 kPa - 10.3 bar), preset at the factory to 100 psi (6.9 bar). The LFX65B features Lead Free* construction to comply with Lead Free* installation requirements.

Features

- Rough-in Kit consists of valve body and strainer/cap assembly and eliminates expensive jumper kits while protecting the downstream plumbing system
- Rough-in Kit has uniquely designed integral basket strainer for easy removal and replacement
- Rough-in Kit consists of a Lead Free* cast copper silicon alloy body construction
- Union tailpiece kits available for Quick-Connect, PEX, and CPVC, solder, and thread connections
- Cartridge Assembly serviceable in-line and easy to install without tools
- Cartridge Assembly with engineered seat design reduces possible flow noise
- 100% balanced valve, unique to Watts, provides reliable flow performance
- Cartridge Assembly is available in standard pressure 20 - 80psi (138 - 552kPa) and HP models 50 -150psi (345 kPa – 10.3 bar)
- Cartridge Assembly bypass feature*** controls thermal expansion pressure

NOTICE

Inquire with governing authorities for local installation requirements



LFX65B Rough-in Kit

LFX65B Cartridge Assembly

Specifications

A water pressure reducing valve Rough-in Kit with strainer/cap assembly shall be installed during construction in the water service pipe near its entrance to the building where supply main pressure exceeds 60psi (413 kPa) to reduce it to 50psi (345 kPa) or lower. Lead Free* Water Pressure Reducing Valves** Rough-In Kit and Cartridge Assembly shall be constructed using Lead Free* materials. Lead Free valves shall comply with state codes and standards, where applicable, requiring reduced lead content.

The Rough-in Kit shall feature a Lead Free* cast copper silicon alloy body suitable for water supply pressure up to 400psi (26.7 bar) and strainer/cap assembly.

Once the Cartridge Assembly is installed, provision shall be made to permit the bypass flow of water back through the valve into the main when pressures, due to thermal expansion on the outlet side of the valve, exceed the pressure in the main supply. Approved valve shall be listed to ASSE 1003 and IAPMO and certified to CSA B356. Valve shall be a Watts Series LFX65B.

* The wetted surface of this product contacted by consumable water contains less than 0.25% of lead by weight.

** A water saving test program concluded that reducing the supply pressure from 80 to 50psi (551 – 345kPa) resulted in a water savings of 30%.

*** The bypass feature will not prevent the pressure relief valve from opening on the hot water supply system with pressures above 150psi (10.3 bar).

NOTICE

The information contained herein is not intended to replace the full product installation and safety information available or the experience of a trained product installer. You are required to thoroughly read all installation instructions and product safety information before beginning the installation of this product.

Watts product specifications in U.S. customary units and metric are approximate and are provided for reference only. For precise measurements, please contact Watts Technical Service. Watts reserves the right to change or modify product design, construction, specifications, or materials without prior notice and without incurring any obligation to make such changes and modifications on Watts products previously or subsequently sold.

Models

LFX65B Rough-in Kit	NPT threaded female inlet x NPT female outlet
LFX65BU Rough-in Kit	NPT threaded female union inlet x NPT female outlet
LFX65BDU Rough-in Kit	Double Union – NPT threaded union female inlet and outlet
LFX65BUS Rough-in Kit	Solder union inlet x NPT female outlet
LFX65BDUS Rough-in Kit Double Union	Solder union inlet and outlet
LFX65BU-QC Rough-in Kit Single Union	Quick-Connect union inlet x NPT female outlet†
LFX65BDU-QC Rough-in Kit Double Union	Quick-Connect union inlet and union outlet†
LFX65BDU-CPVC Rough-in Kit	Double Union CPVC Union Inlet x CPVC Union Outlet††
LFX65BDU-PEX Rough-in Kit	Double Union PEX Union Inlet x PEX Union Outlet††
LFX65 Cartridge Assembly	standard pressure range 20 - 80psi
LFX65 Cartridge Assembly	high pressure range 50 – 150psi

†For sizes ½", ¾", 1" (15, 20, 25mm) Only

††For sizes ¾", 1" (20, 25mm) Only

Materials

Body:	Lead Free* cast copper silicon alloy
Cap:	Thermoplastic
Strainer:	Stainless steel and thermoplastic

Pressure – Temperature

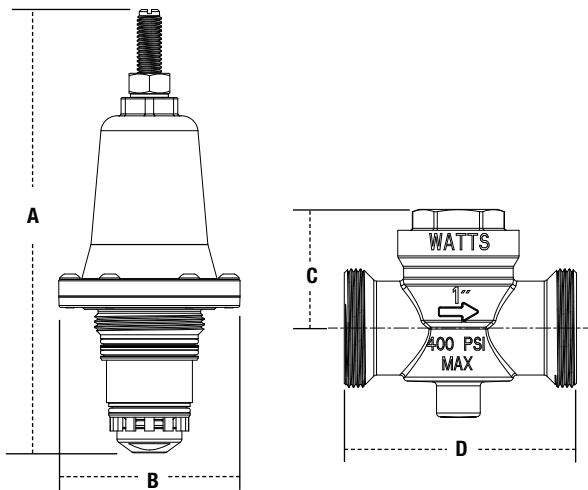
Temperature Range:	33°F – 180°F (0.5°C – 82°C)
Maximum Working Pressure:	400psi (27.6 bar)
Adjustable Reduced Pressure Range:	20 – 80psi (138 – 552 kPa)
Standard Reduced Pressure Setting:	50psi (345 kPa)
HP Reduced Pressure Range:	50-150psi (345 – 1034 kPa)
HP Reduced Pressure Setting:	100psi (6.9 bar)



Standards

As an assembled unit, Rough-in Kit and Cartridge Assembly, meet the requirements of ASSE 1003, listed by IAPMO and NSF 61-G.

Dimensions – Weights



SIZE		DIMENSIONS								WEIGHT	
<i>in.</i>	<i>mm</i>	<i>in.</i>	<i>mm</i>	<i>in.</i>	<i>mm</i>	<i>in.</i>	<i>mm</i>	<i>in.</i>	<i>mm</i>	<i>lbs.</i>	<i>kgs</i>
½	15	5 ⁷ / ₁₆	138	2 ⁷ / ₁₆	61	1 ¹¹ / ₁₆	42	3	77	0.7	0.3
¾	20	5 ⁷ / ₁₆	138	2 ⁷ / ₁₆	61	1 ¹¹ / ₁₆	42	3 ¹ / ₈	80	0.8	0.4
1	25	6 ¹³ / ₁₆	173	2 ³ / ₄	71	1 ¹³ / ₁₆	46	3 ³ / ₁₆	90	1.1	0.5
1¼	32	7	178	3¼	82	2 ³ / ₈	60	4 ⁵ / ₁₆	110	1.8	0.8
1½	40	11½	292	4 ⁹ / ₁₆	116	2 ⁷ / ₈	72	5½	140	3.6	1.6
2	50	11½	292	4 ⁹ / ₁₆	116	2 ⁷ / ₈	72	5½	140	4.0	1.8

