

SPECIFICATION SHEET **FEBCO**

Series FPTC-1

Thermostatic Freeze Relief Kits

Sizes: 1/8" - 3/4" (3 - 20mm)

Series FPTC-1 Thermostatic Freeze Relief Kits are designed to keep water from freezing in the backflow preventer, while avoiding discharges based on the air temperature dropping below freezing. Series FPTC-1 thermostatically measures the water temperature and opens at 35°F (1.6°C) and closes at 40°F (4.4°C).

Features

- Compact
- Easy to Install
- Low Maintenance
- Controlled by Water Temperature vs. Air Temperature
- IAPMO Approved

Specifications

A thermostatic freeze relief kit shall be installed on the backflow preventer to prevent freezing. The relief kit shall thermostatically measure the water temperature and open at 35°F (1.6°C) and close at 40°F (4.4°C). Relief kit shall be a FEBCO Series FPTC-1.

Materials

- Body: Bronze
- Springs: Stainless Steel
- Internals: DZR Brass

Pressure – Temperature

- Working Temperature: 35°F (1.6°C)
- Maximum Pressure: 175psi (12.1 bar)

Approvals

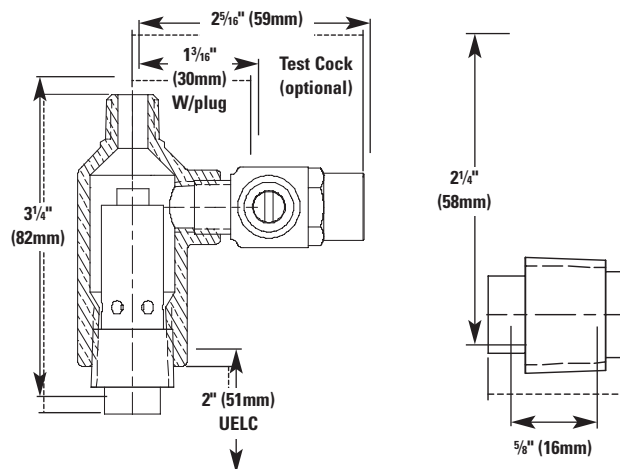


Note: Care should be given to ensure that discharged water will be adequately piped away from areas where slipping on ice could be a danger, such as roadways and pathways.

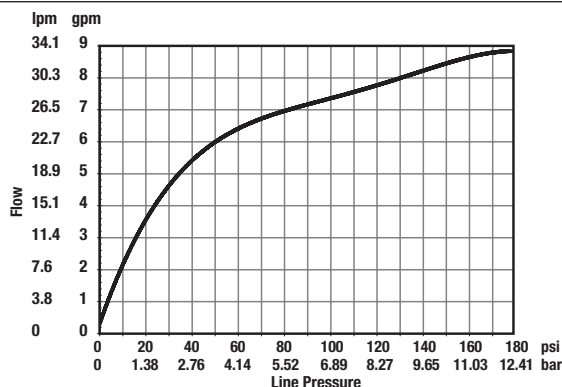


Dimensions

Sizes: 1/8" and 1/4" (3 and 5mm) Sizes: 1/2" and 3/4" (15 and 20mm)



Discharge Rate (Full Open)



Job Name _____

Job Location _____

Engineer _____

Approval _____

Contractor _____

Approval _____

Contractor's P.O. No. _____

Representative _____



FEBCO product specifications in U.S. customary units and metric are approximate and are provided for reference only. For precise measurements, please contact FEBCO Technical Service. FEBCO reserves the right to change or modify product design, construction, specifications, or materials without prior notice and without incurring any obligation to make such changes and modifications on FEBCO products previously or subsequently sold.

