

**SPECIFICATION SHEET** **FEBCO**<sup>®</sup>

# Series 650A

## "Y" Strainers

Size: 1/2" - 2" (15mm - 50mm)

The FEBCO Series 650A "Y" Strainers are installed in water piping systems to protect expensive equipment (such as backflow preventers) from damage or failure that can be caused by foreign material in the pipeline.

### Features

- Tapped retainer cap with closure plug.
- Recessed screen seats assure accurate screen alignment.
- Screens are 304 stainless steel.

### Pressure – Temperature

Working Pressure: Non-Shock, 200psi @ 150°F (13.8 bar @ 65°C)

### Materials

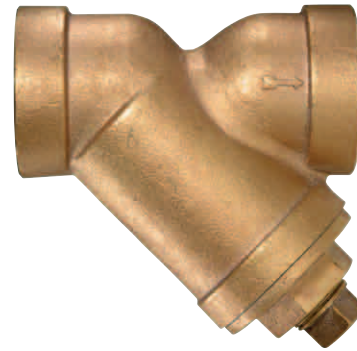
Body: Bronze ASTM B62  
 Cap/Cover: Bronze ASTM B62  
 Gasket: NBR  
 Screen: 20 Mesh

### Dimensions – Weights

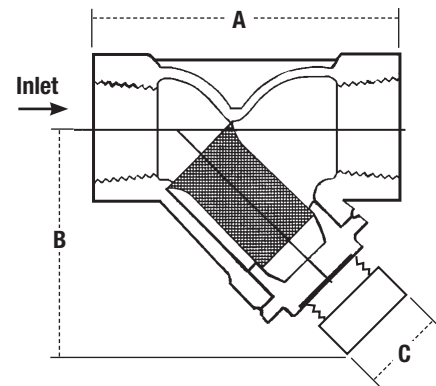
Size: 1/2" - 2" (15 - 50mm)

#### 650A

SIZE (DN)		DIMENSIONS						WEIGHT	
in.	mm	A		B		C		lbs.	kgs.
		in.	mm	in.	mm	in.	mm		
1/2	15	2 3/4	70	1 3/8	35	1/4	6	0.5	0.23
3/4	20	3 3/16	81	1 5/8	42	1/4	6	0.6	0.27
1	25	3 3/4	95	2 1/8	54	1/2	13	1.1	0.50
1 1/4	32	4 7/16	113	2 1/2	64	1/2	13	1.9	0.86
1 1/2	40	4 7/8	124	3	76	3/4	19	2.4	1.09
2	50	5 15/16	151	3 9/16	91	1	25	4.4	2.00



Series 650A

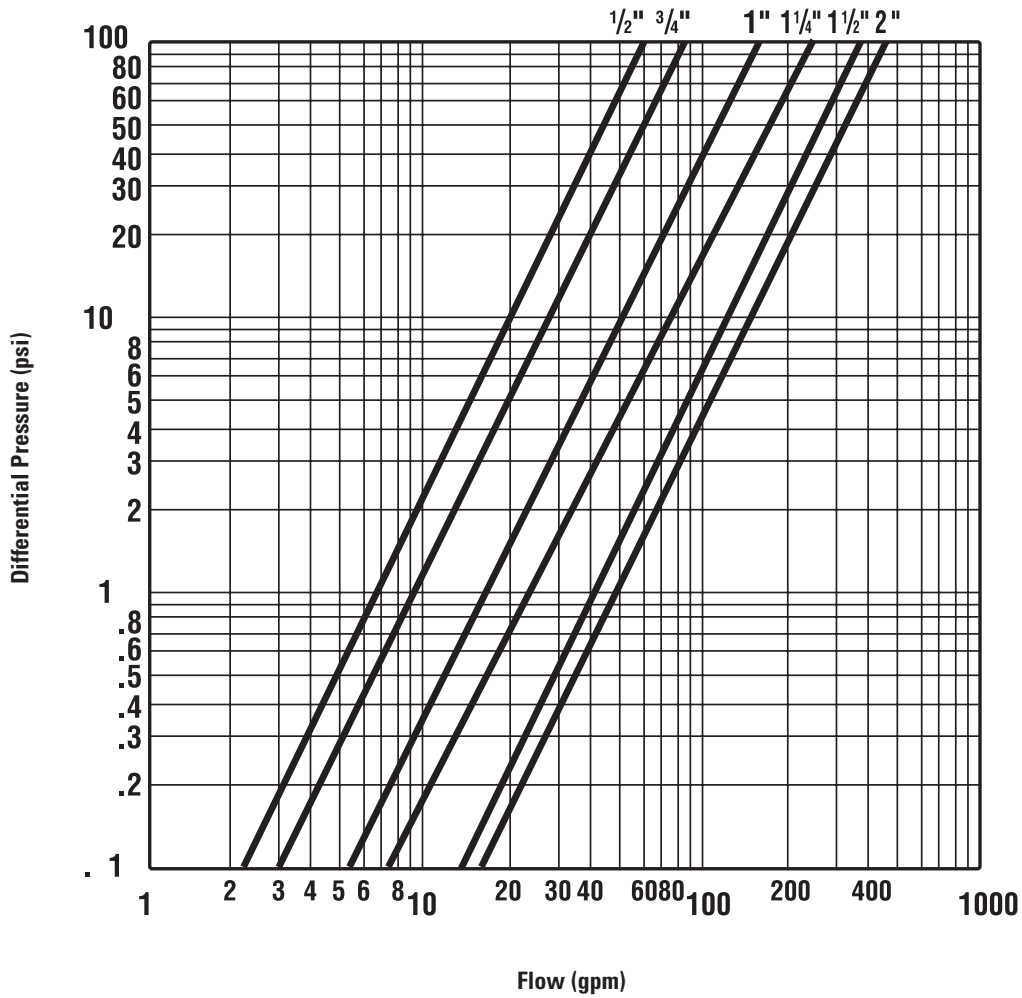


Job Name \_\_\_\_\_  
 Job Location \_\_\_\_\_  
 Engineer \_\_\_\_\_  
 Approval \_\_\_\_\_

Contractor \_\_\_\_\_  
 Approval \_\_\_\_\_  
 Contractor's P.O. No. \_\_\_\_\_  
 Representative \_\_\_\_\_

FEBCO product specifications in U.S. customary units and metric are approximate and are provided for reference only. For precise measurements, please contact FEBCO. FEBCO reserves the right to change or modify product design, construction, specifications, or materials without prior notice and without incurring any obligation to make such changes and modifications on FEBCO products previously or subsequently sold.

# Capacity



Flow curves show flows (gpm) and pressure drop (psig) through FEBCO Series 650A using standard 20 mesh screen.



A Watts Water Technologies Company



**ISO 9001-2008**  
CERTIFIED

USA: Tel: (559) 441-5300 • Fax: (559) 441-5301 • [www.FEBCOonline.com](http://www.FEBCOonline.com)  
Canada: Tel: (905) 332-4090 • Fax: (905) 332-7068 • [www.FEBCOonline.ca](http://www.FEBCOonline.ca)