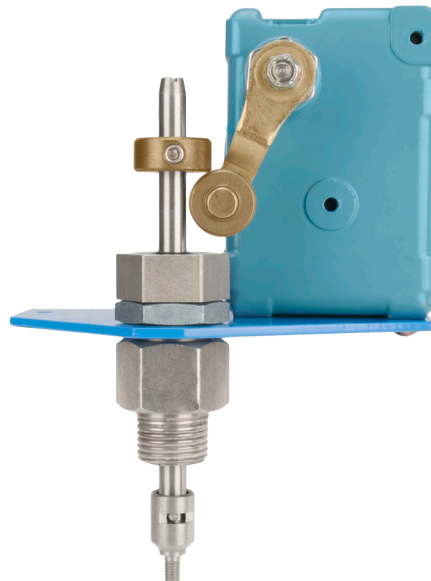


LEAD FREE*

Model 51 Single Limit Switch

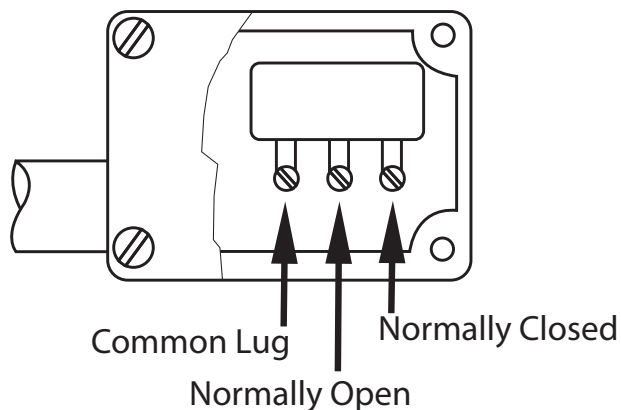
The Model 51 Single Limit Switch provides visual indication of valve position, as well as remote electrical indication of "valve open" or "valve closed". The single pole double throw Micro-Switch can be connected to open or close an electrical circuit when the valve opens or closes.

The adjustable collar is normally set to contact the trip arm when the main valve is closed. The collar can be positioned on the stem by loosening the set-screw to actuate the switch at the desired point of valve travel.



Model LF51

Single Pole Double Throw Switch



Specifications

Body Material:	Stainless Steel
Elastomers:	Buna-N (standard) EPDM (optional) Viton (optional)
Enclosure:	NEMA 1, 3, 4 and 13 General Purpose (standard) NEMA 1,7 and 9 Explosion Proof (optional)
Electrical:	Form C SPDT Switch 15 amp. 125, 250 or 480 VAC 1/2" amp. 125 VDC 1/4" amp. 250 VDC 1/2" Conduit Connection

Viton® is a registered trademark of DuPont Dow Elastomers.

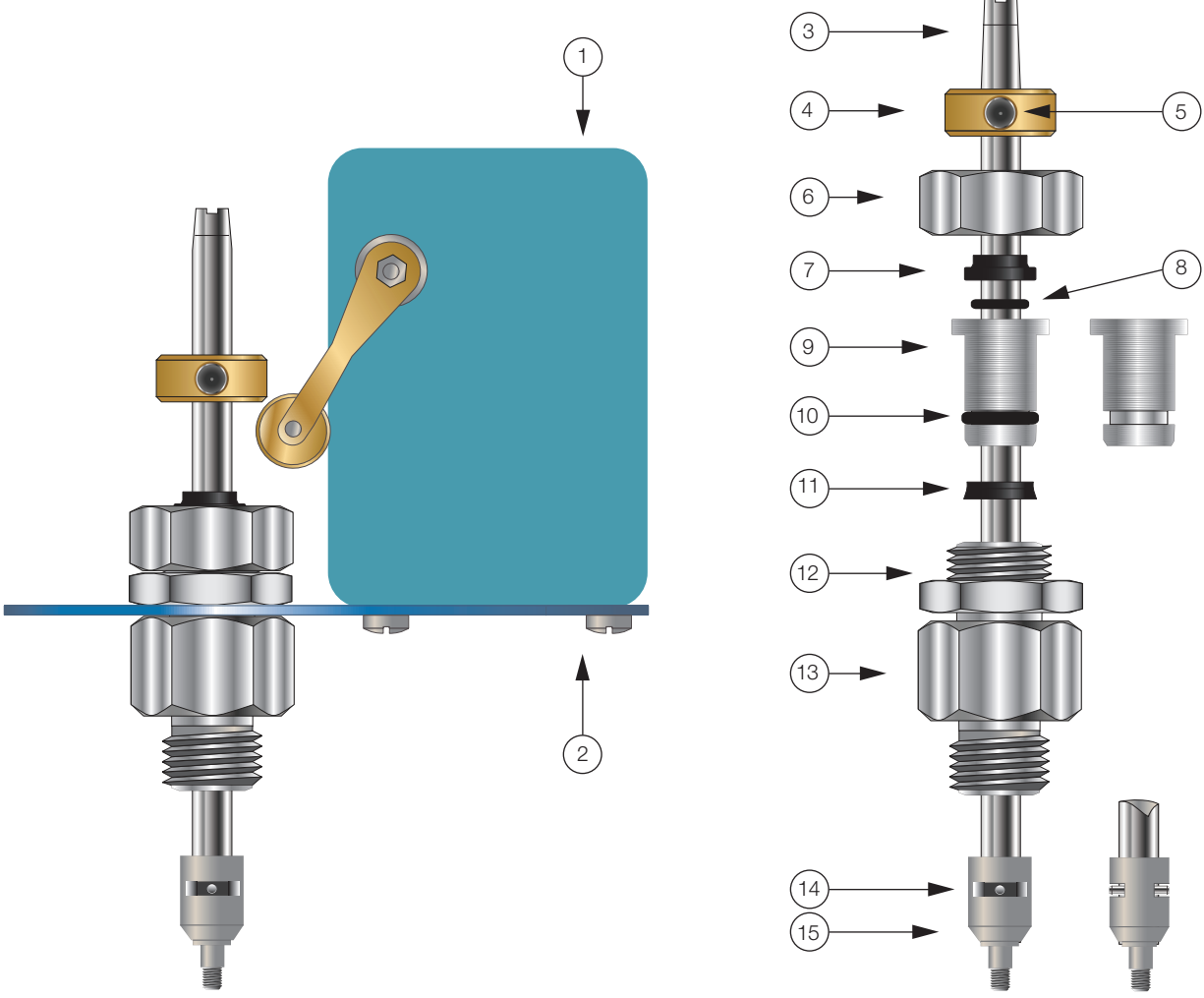
*The wetted surface of this product contacted by consumable water contains less than 0.25% of lead by weight.

NOTICE

The information contained herein is not intended to replace the full product installation and safety information available or the experience of a trained product installer. You are required to thoroughly read all installation instructions and product safety information before beginning the installation of this product.

LEAD FREE*

Model 51
Single Limit Switch



Item	Description
1	Limit Switch
2	Bracket
3	Stem
4	Trip collar
5	Set Screw
6	Cap
7	Wiper Ring*
8	O-Ring*
9	Guide
10	O-Ring*
11	Polypak*
12	Locknut
13	Body
14	Pin
15	Coupling

**Included in Repair Kit*



A Watts Water Technologies Company

USA: Tel: (713) 943-0688 • Fax: (713) 944-9445 • Watts.com
Canada: Tel: (905) 332-4090 • Fax: (905) 332-7068 • Watts.ca
Latin America: Tel: (52) 81-1001-8600 • Fax: (52) 81-8000-7091 • Watts.com