

**LEAD FREE\***

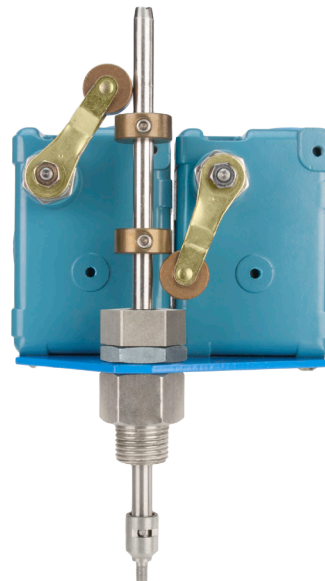
## Model 51-1

### Dual Limit Switch

**Size: 2-8" NPT**

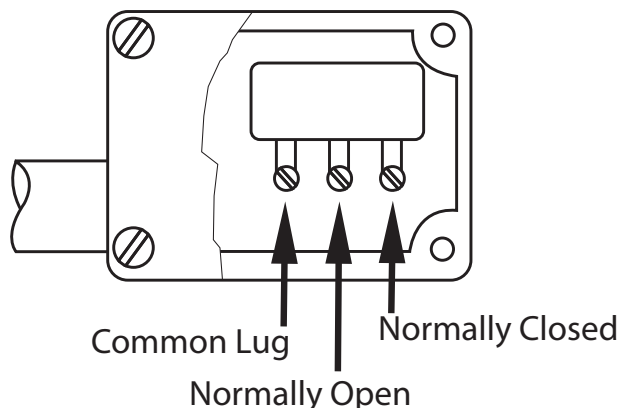
The Model 51-1 Dual Limit Switch provides visual indication of valve position, as well as remote electrical indication of "valve open" and "valve closed". The single pole double throw Micro-Switches can be connected to open or close an electrical circuit when the valve opens or closes.

The adjustable collars are normally set to contact the trip arms to indicate "valve open" and "valve closed". The collars can be positioned on the stem by loosening the set-screws to actuate the switches at the desired point of valve travel.



Model LF51-1

### Single Pole Double Throw Switch



### Specifications

<b>Body Material:</b>	Stainless Steel
<b>Elastomers:</b>	Buna-N (standard) EPDM (optional) Viton (optional)
<b>Enclosure:</b>	NEMA 1, 3, 4 and 13 General Purpose (standard) NEMA 1,7 and 9 Explosion Proof (optional)
<b>Electrical:</b>	Form C SPDT Switch 15 amp. 125, 250 or 480 VAC ½" amp. 125 VDC ¼" amp. 250 VDC ½" Conduit Connection

Viton® is a registered trademark of DuPont Dow Elastomers.

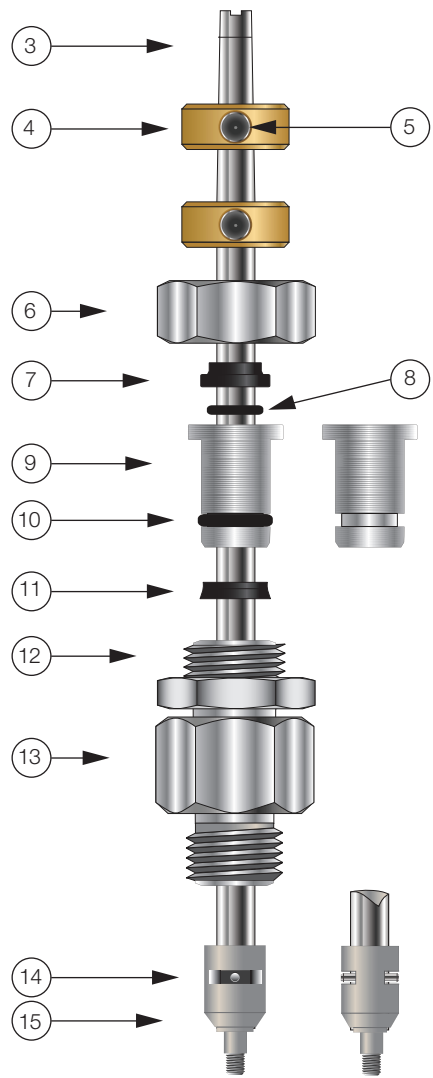
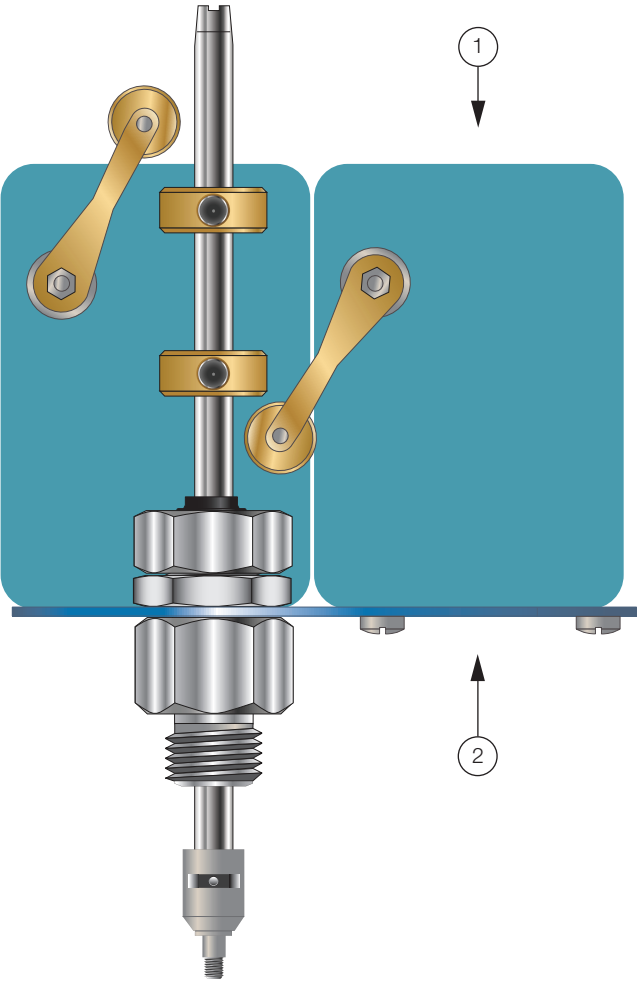
\*The wetted surface of this product contacted by consumable water contains less than 0.25% of lead by weight.

**NOTICE**

The information contained herein is not intended to replace the full product installation and safety information available or the experience of a trained product installer. You are required to thoroughly read all installation instructions and product safety information before beginning the installation of this product.

**LEAD FREE\***

**Model 51-1**  
Dual Limit Switch



Item	Description
1	Limit Switch
2	Bracket
3	Stem
4	Trip collar
5	Set Screw
6	Cap
7	Wiper Ring*
8	O-Ring*
9	Guide
10	O-Ring*
11	Polypak*
12	Locknut
13	Body
14	Pin
15	Coupling

\*Included in Repair Kit



A Watts Water Technologies Company

**USA:** Tel: (713) 943-0688 • Fax: (713) 944-9445 • Watts.com  
**Canada:** Tel: (905) 332-4090 • Fax: (905) 332-7068 • Watts.ca  
**Latin America:** Tel: (52) 81-1001-8600 • Fax: (52) 81-8000-7091 • Watts.com