

## Bronze Series Control Valve

- Low maintenance premium quality design features:
  - Stainless Steel Hardware
  - Quality packing material choices
  - Balanced and unbalanced designs
- Modular layout offers flexibility to reconfigure in the field.
- Value priced to offer higher quality at a lower price.
- Safety features protect your process and your personnel.
- Immediate availability from local stock.
- Nationwide network of stocking distributors.

# FLOWRITE II®

## Heavy Duty Bronze Globe Control Valve



The Flowrite II® Heavy Duty Bronze Globe Control Valve has a rugged design that is perfect for your steam/water modulation, mixing or bypass applications.

# Heavy Duty Bronze Globe Control Valve

## SPECIFICATIONS:

### Valve Sizes:

1/2"-2" union ends  
or threaded

### Rating:

ANSI Class 125 and 250 per  
ASME B16.1

### Body Material:

Bronze

### Trim Material:

Stainless steel or bronze

### Shut-Off Class:

ANSI class IV, III and II

### Flow Characteristics:

Linear, equal percent and  
modified equal percent

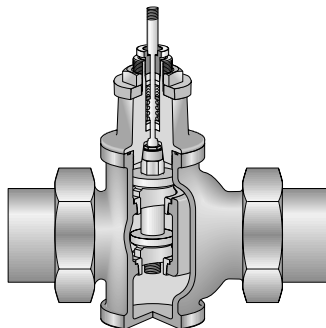
### Packing:

Self-adjusting Teflon®  
or EP V-ring

# FLOWRITE II®

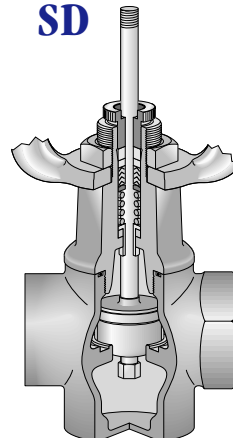
Six Designs to Meet All of Your 1/2"-2" Steam and  
Water Modulating, Mixing or Bypass Applications.

**DB**



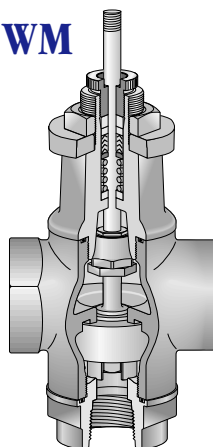
**High Capacity**

**SD**



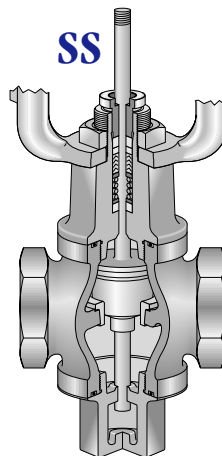
**Economy  
(bronze trim)**

**WM**



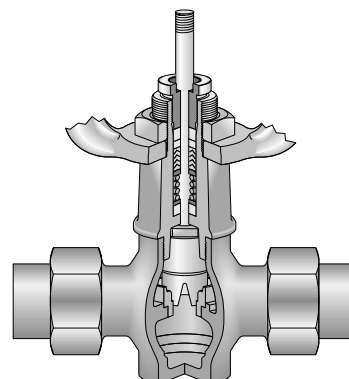
**Mixing**

**SS**



**High Performance  
(stainless trim)**

**VE**



**Precision Low Flow**

## Features:

- Balanced & unbalanced designs
- Multiple packing choices – spring loaded
- Stainless steel hardware and actuator mounting accessories
- Available with pneumatic diaphragm
- Union and screwed ends
- Multi-guided stability

# POWERS

A WATTS INDUSTRIES CO.

For more information on these or any POWERS' product, visit us at  
[www.powerscontrols.com](http://www.powerscontrols.com) or contact us at 1-800-669-5430.