


SPECIFICATIONS

Existing ESP proximity showers (concealed and Hydropanel) can now be retrofitted with Powers' new Piezo technology. Piezo switches feature ADA compliant activation, stainless steel construction, water tight electronics and contain no moving parts to wear out. Piezo switches also feature the identical modular connectors (telephone type) found on proximity sensors and are completely compatible with all Powers' existing ESP hardware. The entire retrofit operation takes just minutes.

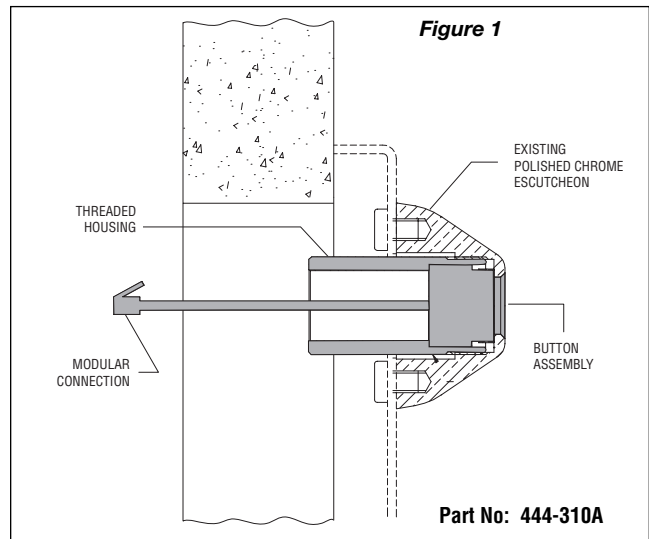
PIEZO SPECIFICATIONS

- **Button Material:** 304 Stainless Steel.
- **Potted Electronics:** Waterproof.
- **Connectors:** Modular (Telephone Type).
- **Activation Force:** 10-14 ounces. ADA/barrier free compliant. 
- **Cycles:** Tested over 50,000,000.
- **Operating Temperature:** -40° F (-40° C) to 185° F (85° C).

RETROFIT INSTRUCTIONS

Requires the use of an existing brass proximity housing (see Figure 1).

1. Remove existing proximity sensor from polished chrome escutcheon by rotating counter-clockwise.
2. Insert button into threaded housing.
3. Screw threaded housing into existing escutcheon.
4. **Important:** Ensure Piezo switch sits flush front surface of escutcheon.



RETROFIT KIT COMPONENTS

Piezo retrofit kit includes:

- Piezo switch assembly with stainless steel button and modular connector (part no. 444-260).
- Threaded brass housing.

CALIFORNIA PROPOSITION 65 WARNING

WARNING: This product contains chemicals known to the State of California to cause cancer and birth defects or other reproductive harm. (California law requires this warning to be given to customers in the State of California.)
For more information: www.wattsind.com/prop65

WARRANTY INFORMATION

Powers Process Controls warrants that the equipment manufactured by it is free from defects in material and workmanship and, without charge, equipment found to be defective in material and workmanship will be repaired, or at Seller's option, replaced F.O.B. original point of shipment, if written notice of failure is received by Seller within one (1) year after date of shipment, provided said equipment has been properly installed, operated in accordance with Seller's instructions, and provided such defects are not due to abuse or chemical decomposition by chemical or galvanic action. This express warranty is in lieu of and excludes all other warranties, guarantees, or representations express or implied. There are no implied warranties of merchantability or of fitness for a particular purpose. The Seller assumes no responsibility for repairs made on Seller's equipment unless done by Seller's authorized personnel, or by written authority from the Seller. The Seller makes no guarantee with respect to material not manufactured by it.