

POWERS

A WATTS INDUSTRIES CO.

INSTALLATION INSTRUCTIONS

BILTMORE Series 900 Valves Thin Wall Mounting Kit #900-119

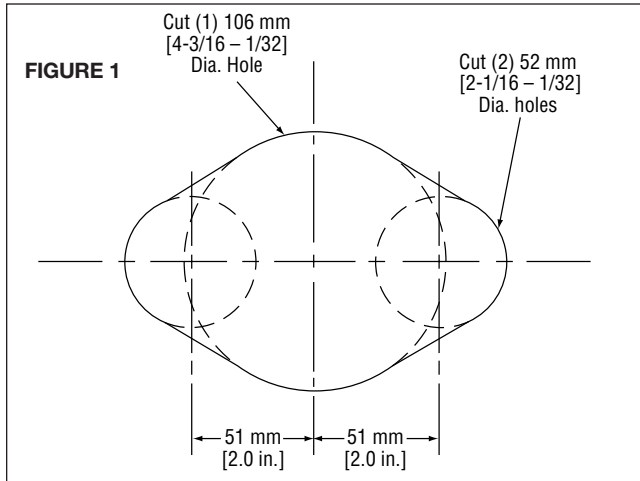
NOTE: Installation should be in accordance with accepted plumbing practices. Flush all piping thoroughly before installation.

KIT CONTENTS

QTY	DESCRIPTION	PART NO.
1	Thin Wall Mounting Bracket	900-118

TO INSTALL

1. Mount the thin wall mounting bracket before the wall is in place.
2. If the wall is in place, cut rough-in dimensions as shown in Figure 1.

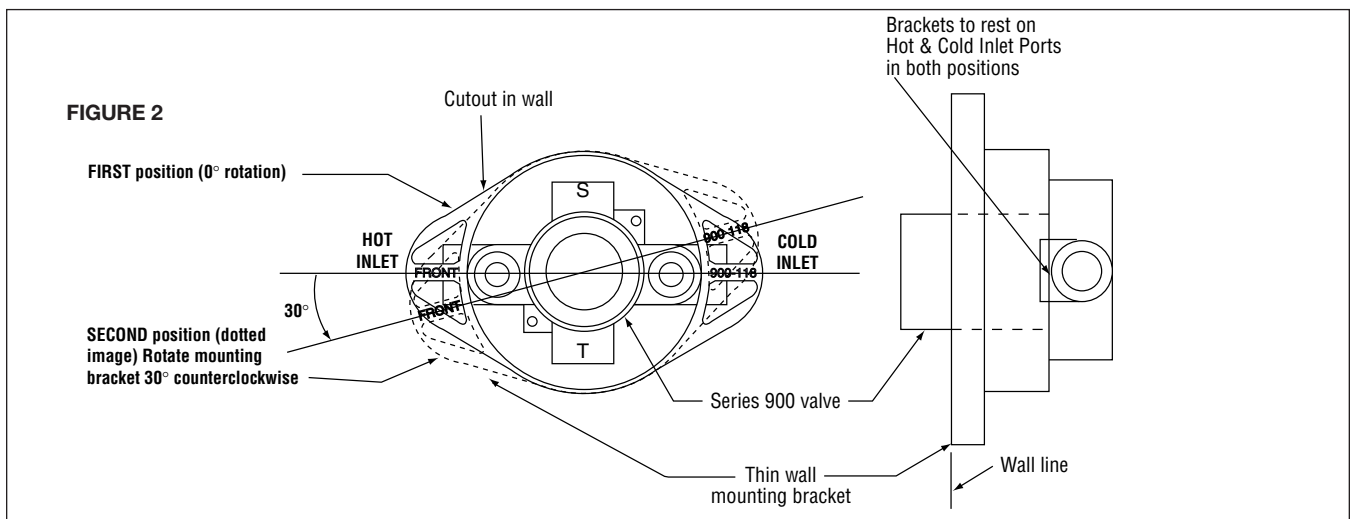


3. Position the thin wall mounting bracket over the bonnet of the Biltmore Series 900 Mixer, shown in Figure 2, as "First Position."
4. Rotate the bracket 30° counterclockwise, shown in Figure 2, as "Second Position."
5. Installation of the valve trim should be completed according to installation instruction furnished with the Biltmore Series 900 Mixer.

CALIFORNIA PROPOSITION 65 WARNING

WARNING: This product contains chemicals known to the State of California to cause cancer and birth defects or other reproductive harm. (Installer: California law requires that this warning be given to the consumer.)

For more information: www.wattsind.com/prop65



POWERS

A WATTS INDUSTRIES CO.

© Reprinted April 2001 Powers, a Watts Industries Co.
3400 Oakton Street, Skokie, IL 60076 Phone: 800.669.5430 • 847.673.6700 • Fax: 847.673.9044
www.powerscontrols.com

5435 North Service Road, Burlington, Ontario, L7L 5H7 Canada • Phone: 888.208.8927 • Fax: 888.882.1979