

Watts Series A200-LF Water Saving Trap Primer

For Use With Low Flow Plumbing Fixtures

Installation Instructions

The A200-LF Trap Primer should be installed in the cold line only in accordance with the local plumbing codes and ordinances.

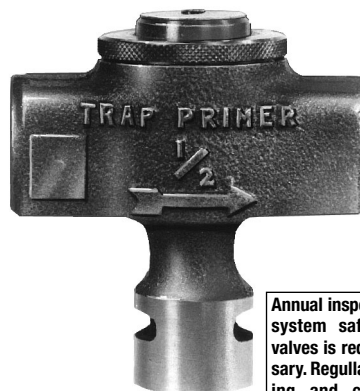
Effective priming is possible when connected to a dual hot and cold combination faucet provided the minimum flow required on the cold line listed in Chart A at various operating pressures is met.

These devices should be installed in the horizontal position as shown on the supply line leading to a frequently used fixture. Before installing Series A200-LF, be sure to flush out the line to remove dirt and scale which might lodge on the valve seat and disc. Device should be installed a minimum of 12" (300mm) above the trap and should be accessible for servicing.

No trap primer valve shall be manifolded to serve more than one trap.

Maximum Supply Pressure: 125psi. (8.6 bar)

Note: For supply pressures below 20psi (172 kPa), consult factory.



A200-LF

Annual inspection of all water system safety and control valves is required and necessary. Regular inspection testing and cleaning assures maximum life and proper product function

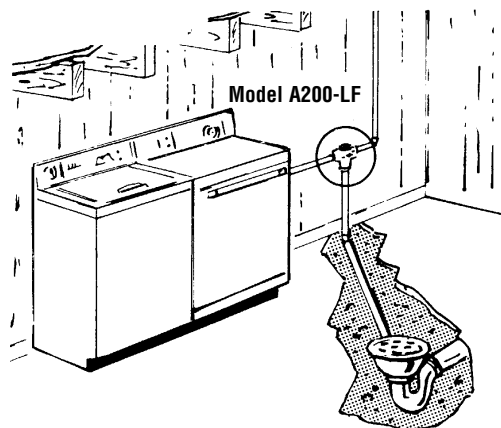
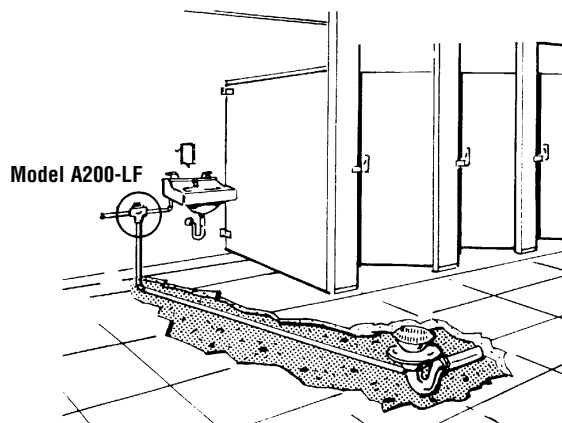
Chart A

INLET PRESSURE	*gpm	lpm
25 (172.38 kPa)	.35	1.33
50 (344.38 kPa)	.40	1.52
75 (517.38 kPa)	.45	1.71
100 (6.89 bar)	.50	1.9
125 (8.61 bar)	.60	2.28

*Minimum cold flow required for proper trap priming

ATTENTION INSTALLER: After installation please leave this instruction sheet for occupant's information

Typical Installations

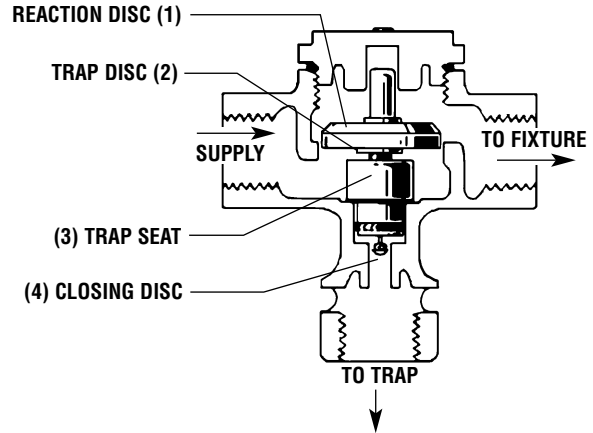


See reverse side for "How it works"

How the Series A200-LF works

Series A200-LF is a unique design which ensures delivery of water to the trap to ensure against evaporation of the water seal. Series A200-LF operates by the water flow acting against the main reaction disc (1), which forces the reaction disc in the upward position and removes the trap disc (2) from the plastic trap seat (3). A spurt of water is then delivered to the trap. However, with increased flow, the main reaction disc continues to lift and seals off the closing disc (4) to stop flow to the trap. When the flow through the valve is stopped, the trap disc (2) is returned to the closed position, and in the process, delivers a spurt of water to the trap before closing off.

The importance of this design is that a complete flow cycle through the valve from open to close will actuate the primer twice with two definite pulses, once on opening and once on closing, thus providing a tremendous water savings over competitive models. This is an exclusive Watts feature.



CALIFORNIA PROPOSITION 65 WARNING

WARNING: This product contains chemicals known to the State of California to cause cancer and birth defects or other reproductive harm. (California law requires this warning to be given to customers in the State of California.)

For more information: www.watts.com/prop65

Limited Warranty: Watts Regulator Co. (the "Company") warrants each product to be free from defects in material and workmanship under normal usage for a period of one year from the date of original shipment. In the event of such defects within the warranty period, the Company will, at its option, replace or recondition the product without charge.

THE WARRANTY SET FORTH HEREIN IS GIVEN EXPRESSLY AND IS THE ONLY WARRANTY GIVEN BY THE COMPANY WITH RESPECT TO THE PRODUCT. THE COMPANY MAKES NO OTHER WARRANTIES, EXPRESS OR IMPLIED. THE COMPANY HEREBY SPECIFICALLY DISCLAIMS ALL OTHER WARRANTIES, EXPRESS OR IMPLIED, INCLUDING BUT NOT LIMITED TO THE IMPLIED WARRANTIES OF MERCHANTABILITY AND FITNESS FOR A PARTICULAR PURPOSE.

The remedy described in the first paragraph of this warranty shall constitute the sole and exclusive remedy for breach of warranty, and the Company shall not be responsible for any incidental, special or consequential damages, including without limitation, lost profits or the cost of repairing or replacing other property which is damaged if this product does not work properly, other costs resulting from labor charges, delays, vandalism, negligence, fouling caused by foreign material, damage from adverse water conditions, chemical, or any other circumstances over which the Company has no control. This warranty shall be invalidated by any abuse, misuse, misapplication, improper installation or improper maintenance or alteration of the product.

Some States do not allow limitations on how long an implied warranty lasts, and some States do not allow the exclusion or limitation of incidental or consequential damages. Therefore the above limitations may not apply to you. This Limited Warranty gives you specific legal rights, and you may have other rights that vary from State to State. You should consult applicable state laws to determine your rights. **SO FAR AS IS CONSISTENT WITH APPLICABLE STATE LAW, ANY IMPLIED WARRANTIES THAT MAY NOT BE DISCLAIMED, INCLUDING THE IMPLIED WARRANTIES OF MERCHANTABILITY AND FITNESS FOR A PARTICULAR PURPOSE, ARE LIMITED IN DURATION TO ONE YEAR FROM THE DATE OF ORIGINAL SHIPMENT.**

WATTS®

Water Safety & Flow Control Products

ISO 9001-2000
CERTIFIED

USA: 815 Chestnut St., No. Andover, MA 01845-6098; www.watts.com

Canada: 5435 North Service Rd., Burlington, ONT. L7L 5H7; www.wattscanada.ca