

Installation Instructions

This mounting kit is designed specifically to be used to install the Watts Model A2C-M1 IntelliFlow™ automatic washing machine shutoff valve. **Important Cautions!**

1. This kit contains parts to simplify installation of the Watts IntelliFlow Model A2C-M1. If you are not familiar with piping procedures, we recommend you contact a licensed plumbing contractor to install the Watts A2C-M1 IntelliFlow.
2. Prior to beginning installation, read all instructions to familiarize yourself with the components of this kit and the assembly procedures.
3. Additional CPVC tubing, elbows, or fittings may be required to complete your particular installation. You can obtain those items at your local hardware store or lumber yard.

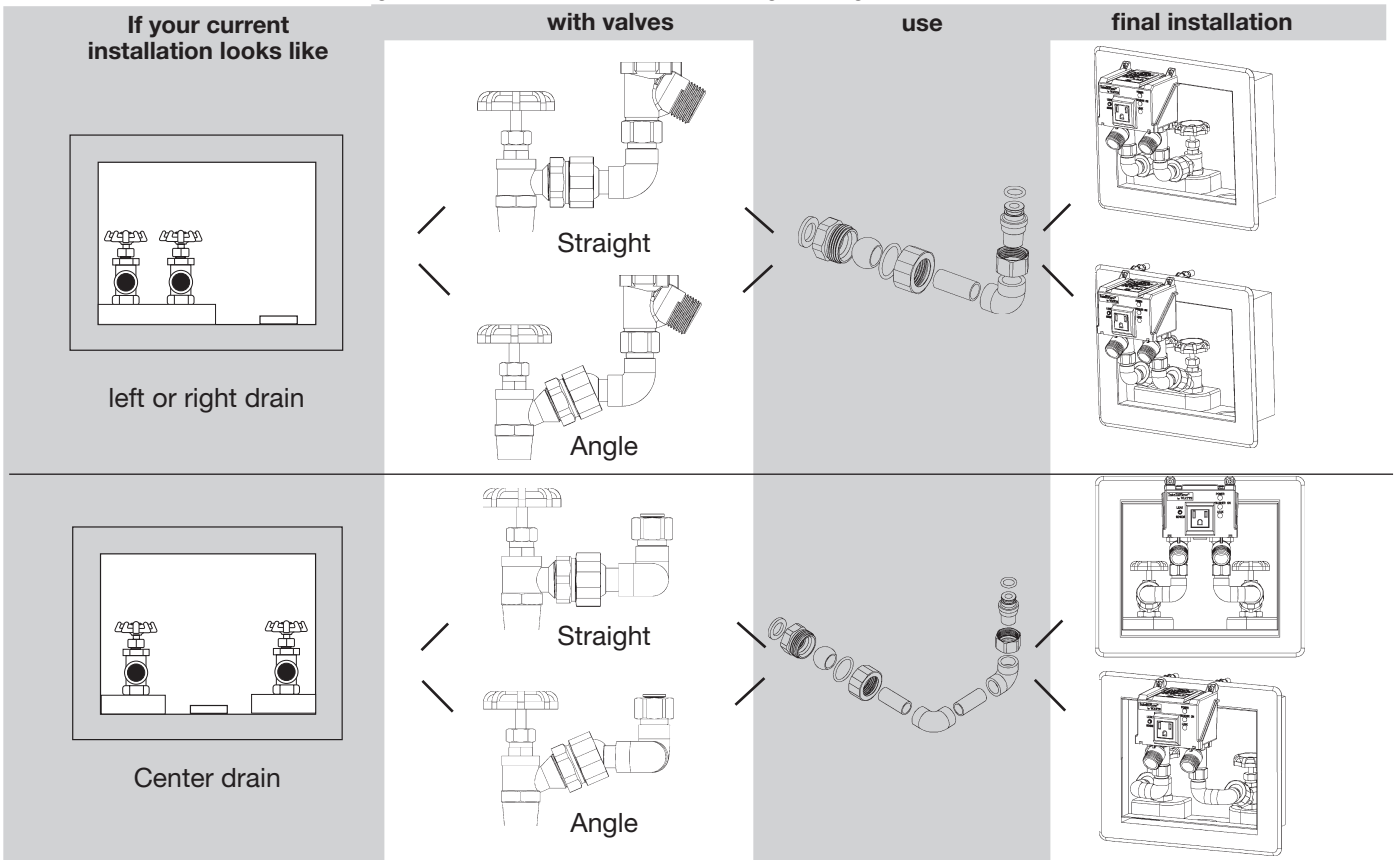
Note: The Union tailpieces supplied with the IntelliFlow are not required when the adapters are used.

Installing the A2C-M1 IntelliFlow Automatic Washing Machine Shutoff Valve

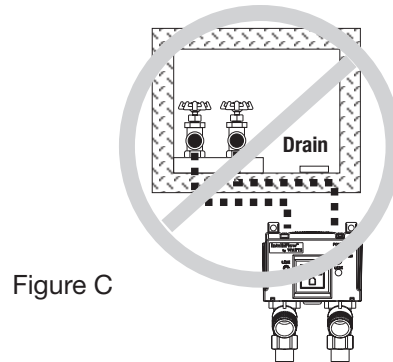
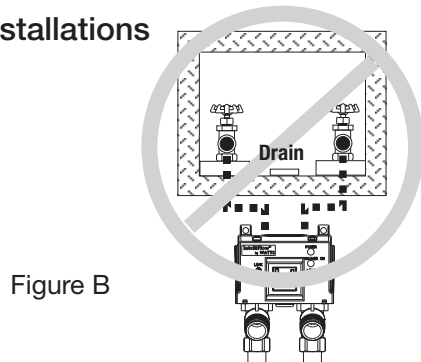
1. Plan where you want to locate the IntelliFlow A2C-M1 and how you want to pipe it in prior to starting the actual installation. This will help you avoid problems later in the process. Refer below to Figure A for typical piping arrangements. Caution! In all cases, be sure the IntelliFlow A2C-M1 or piping does not obstruct the washing machine drain tube as shown in Figures B and C.
2. Shut off water supply to the washing machine shutoff valves.
3. Noting their hot and cold water position, disconnect the washing machine hoses from the shutoff valves.

Figure A

This kit can be used for either left or right or center drain installations with straight or angle shut off valves.



Incorrect Installations



Note: This is a good time to inspect the washing machine hoses and gaskets. Replace them if they are brittle or show signs of cracking or leaking with Watts Model CWM Flexible Washing Machine Hose Connectors.

4. Use the A2C-M1 as a template (Figure 1) and mark the location for the two wall anchor holes. Using a 1/4" drill bit, drill two holes at these marks. Insert wall anchors and remove screws.
5. Insert the wall anchors into the wall. Insert the wall anchor screws into the support tabs on the top of the A2C-M1 and tighten the wall anchor screws (Figure 2).
6. Install the O-ring "A" (see Figure 3) onto the valve adapter (C) (Figure 4) using the lubrication provided. Insert the adapter into the A2C-M1 valve body inlet. Install the retaining nut (D) onto the valve body being careful to avoid cross-threading.
7. Insert the flat washer (E) into the valve adapter (F) (Figure 4). Thread the valve adapter onto the existing shutoff valve.
8. Insert the O-ring "B" into the swivel adapter nut (G) using the lubrication provided. Insert the ball swivel (H) into the adapter and thread the adapter onto the valve adapter (F) (Figure 4).

Note: The small diameter hole on the ball swivel must be placed facing towards the existing shutoff valve.

9. To determine the length of the tubing (J1) required, refer to (Figure 2A). Measure distance (H) from inside the ball swivel to the end of the elbow adapter (K), add dimension (X) to (H).

For the horizontal run (J2) measure the distance (V), between elbows (Figure 2B). Add dimension (X1) and (X2).

10. Cut the tubing to length and de-burr.

IMPORTANT! Loosely assemble all parts prior to applying the cement

11. When you are certain that the tubing lengths are correct, glue the components. It is suggested that the CPVC elbow is glued first and that the pieces refitted to confirm that the dimensions are correct.
12. When the cement has dried, tighten all fittings.
13. Refer to the A2C-M1 installation instructions to complete the installation and perform a final check prior to turning on the water supply.

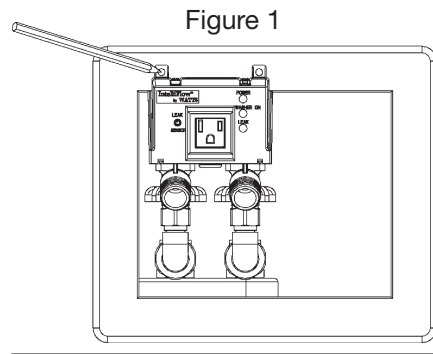


Figure 1

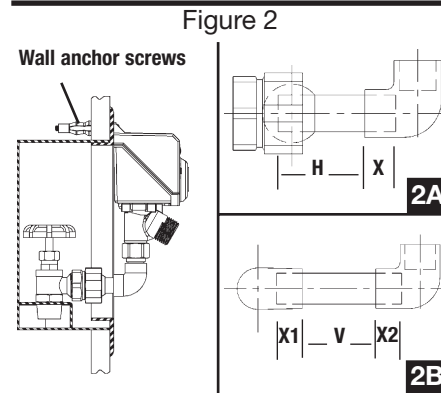


Figure 2

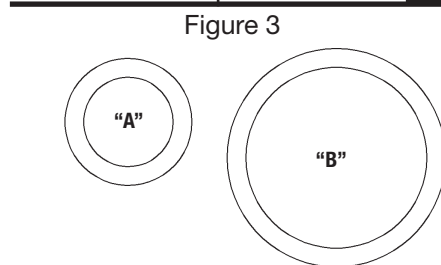


Figure 3

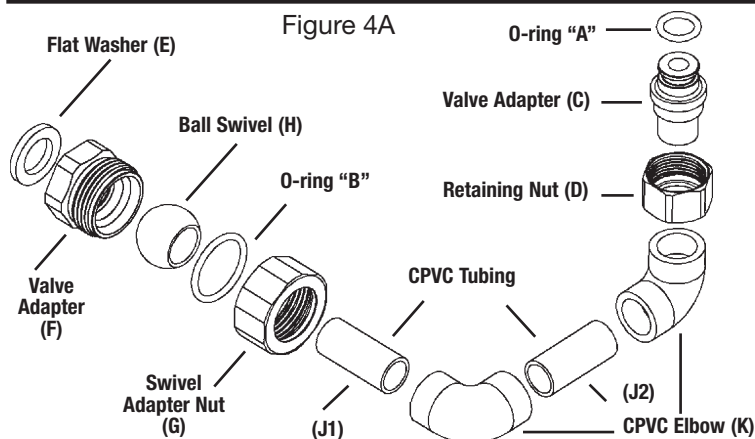


Figure 4A

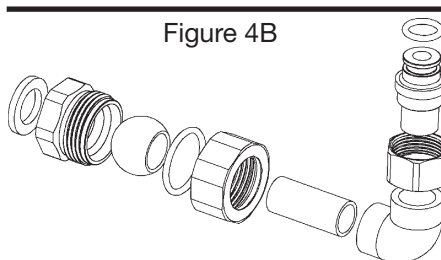


Figure 4B

Limited Warranty: Watts Regulator Co. (the "Company") warrants each product to be free from defects in material and workmanship under normal usage for a period of one year from the date of original shipment. In the event of such defects within the warranty period, the Company will, at its option, replace or recondition the product without charge.

THE WARRANTY SET FORTH HEREIN IS GIVEN EXPRESSLY AND IS THE ONLY WARRANTY GIVEN BY THE COMPANY WITH RESPECT TO THE PRODUCT. THE COMPANY MAKES NO OTHER WARRANTIES, EXPRESS OR IMPLIED. THE COMPANY HEREBY SPECIFICALLY DISCLAIMS ALL OTHER WARRANTIES, EXPRESS OR IMPLIED, INCLUDING BUT NOT LIMITED TO THE IMPLIED WARRANTIES OF MERCHANTABILITY AND FITNESS FOR A PARTICULAR PURPOSE.

The remedy described in the first paragraph of this warranty shall constitute the sole and exclusive remedy for breach of warranty, and the Company shall not be responsible for any incidental, special or consequential damages, including without limitation, lost profits or the cost of repairing or replacing other property which is damaged if this product does not work properly, other costs resulting from labor charges, delays, vandalism, negligence, fouling caused by foreign material, damage from adverse water conditions, chemical, or any other circumstances over which the Company has no control. This warranty shall be invalidated by any abuse, misuse, misapplication, improper installation or improper maintenance or alteration of the product.

Some States do not allow limitations on how long an implied warranty lasts, and some States do not allow the exclusion or limitation of incidental or consequential damages. Therefore the above limitations may not apply to you. This Limited Warranty gives you specific legal rights, and you may have other rights that vary from State to State. You should consult applicable state laws to determine your rights. **SO FAR AS IS CONSISTENT WITH APPLICABLE STATE LAW, ANY IMPLIED WARRANTIES THAT MAY NOT BE DISCLAIMED, INCLUDING THE IMPLIED WARRANTIES OF MERCHANTABILITY AND FITNESS FOR A PARTICULAR PURPOSE, ARE LIMITED IN DURATION TO ONE YEAR FROM THE DATE OF ORIGINAL SHIPMENT.**

CALIFORNIA PROPOSITION 65 WARNING

WARNING: This product contains chemicals known to the State of California to cause cancer and birth defects or other reproductive harm. (California law requires this warning to be given to customers in the State of California.)

For more information: www.watts.com/prop65



Water Safety & Flow Control Products



USA: 815 Chestnut St., No. Andover, MA 01845-6098; www.watts.com

Canada: 5435 North Service Rd., Burlington, ONT. L7L 5H7; www.wattscanada.ca