

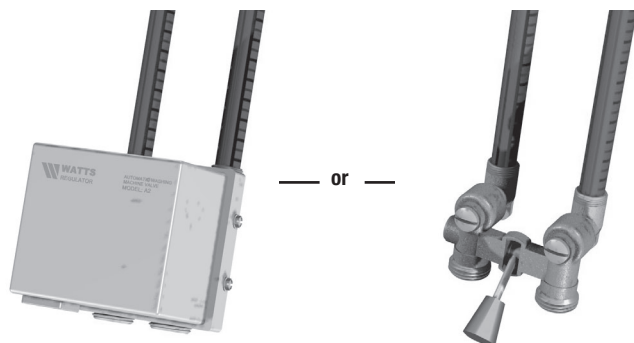
Watts IntelliFlow™ Retrofit Kit KA2-A

Installation Instructions

This kit is used to replace the following Watts washing machine shutoff valves: the wall mounted Watts Models #2 Duo-Cloz valve and the wall mounted IntelliFlow™ Models:

A2, A2C, A2C-M with the new Watts IntelliFlow Model A2C-M1.

If Your Current Installation Looks Like:



Wall box style with #2 Style, A2, A2C or A2C-M

Final Installation Will Look Like:



A2C-M1

Note: The union tailpieces supplied with the IntelliFlow are not required when the adapters are used.

Installation

1. Shut off the water supply to the existing valve.
2. Disconnect the water supply connection from the valve to the washing machine. Use masking tape to indicate the hot and cold supply hoses.

A2, A2C or A2C-M Valves

- A3. Unplug the unit from the wall. Unplug the washing machine from the A2.
- A4. Remove the cover by loosening the four (4) 1/4" hex head screws (A) using a 1/4" open end wrench. (See Figure 1)
- A5. Remove the A2 by unscrewing both slotted screws (B) on the top of the valve. Go to step #6.

#2 Valve

- B3. Remove the #2 valve by unscrewing both slotted screws (A) on the top of the valve. (See Figure 2)
- B4. Remove the body of the valve by drawing the valve off the inlet fittings (B). Go to step #6.

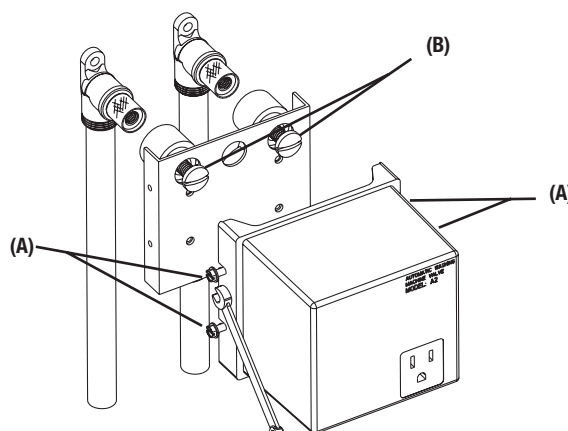


Figure 1

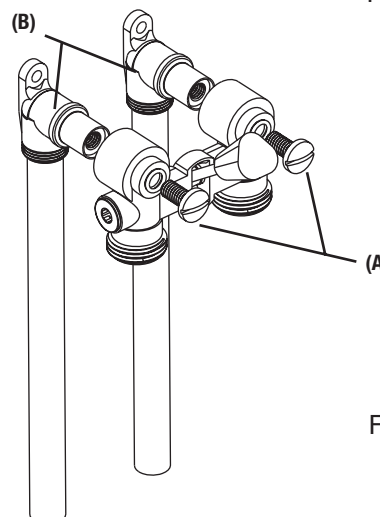


Figure 2

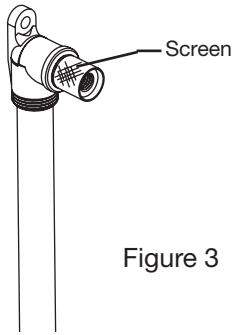


Figure 3

6. Remove the screen and the O-ring from the inlet fittings. (See Figure 3).
7. Using the O-ring grease provided, lubricate and install the two new O-rings "B" (See Figure 4) provided onto the adapter sleeve (E) (See Figure 5).
8. Insert adapter sleeve with O-rings installed into the valve body inlet (J).
9. Thread the adapter body (D) onto the A2-M1 valve body inlet (J). (Note: Be careful not to cross-thread the adapter). Thread to a positive stop, then orient the adapter such that the smaller opening faces forward when looking directly at the A2-M1 valve.
10. Lubricate and install O-ring "A" on the angle adapter (F).
11. Lubricate and install O-ring "C" on the stainless steel screw (G).
12. Place the adapter body (D) onto the angle adapters (F) and install screw (G) to retain the adapter, tighten firmly.
13. Refer to the A2C-M1 product installation instructions to complete the installation and perform a final check.

Figure 4

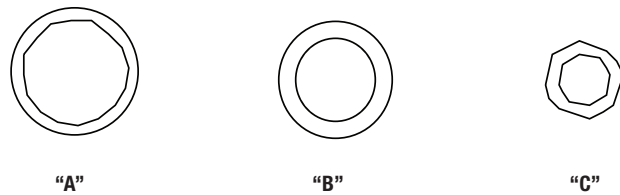


Figure 5

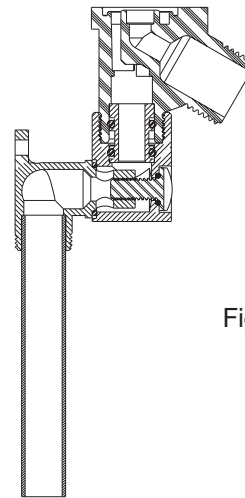
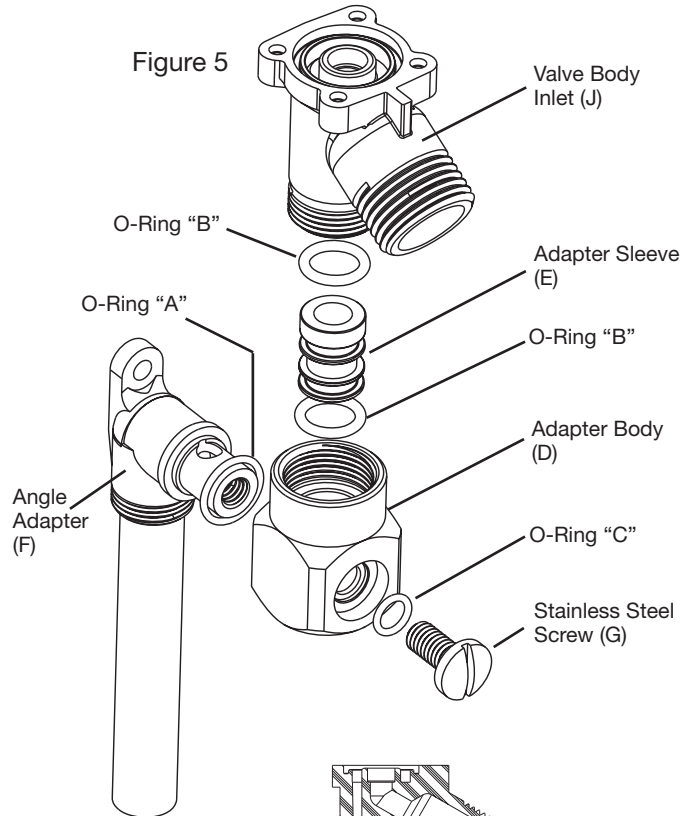


Figure 6

Limited Warranty: Watts Regulator Co. (the "Company") warrants each product to be free from defects in material and workmanship under normal usage for a period of one year from the date of original shipment. In the event of such defects within the warranty period, the Company will, at its option, replace or recondition the product without charge.

THE WARRANTY SET FORTH HEREIN IS GIVEN EXPRESSLY AND IS THE ONLY WARRANTY GIVEN BY THE COMPANY WITH RESPECT TO THE PRODUCT. THE COMPANY MAKES NO OTHER WARRANTIES, EXPRESS OR IMPLIED. THE COMPANY HEREBY SPECIFICALLY DISCLAIMS ALL OTHER WARRANTIES, EXPRESS OR IMPLIED, INCLUDING BUT NOT LIMITED TO THE IMPLIED WARRANTIES OF MERCHANTABILITY AND FITNESS FOR A PARTICULAR PURPOSE.

The remedy described in the first paragraph of this warranty shall constitute the sole and exclusive remedy for breach of warranty, and the Company shall not be responsible for any incidental, special or consequential damages, including without limitation, lost profits or the cost of repairing or replacing other property which is damaged if this product does not work properly, other costs resulting from labor charges, delays, vandalism, negligence, fouling caused by foreign material, damage from adverse water conditions, chemical, or any other circumstances over which the Company has no control. This warranty shall be invalidated by any abuse, misuse, misapplication, improper installation or improper maintenance or alteration of the product. Some States do not allow limitations on how long an implied warranty lasts, and some States do not allow the exclusion or limitation of incidental or consequential damages. Therefore the above limitations may not apply to you. This Limited Warranty gives you specific legal rights, and you may have other rights that vary from State to State. You should consult applicable state laws to determine your rights. **SO FAR AS IS CONSISTENT WITH APPLICABLE STATE LAW, ANY IMPLIED WARRANTIES THAT MAY NOT BE DISCLAIMED, INCLUDING THE IMPLIED WARRANTIES OF MERCHANTABILITY AND FITNESS FOR A PARTICULAR PURPOSE, ARE LIMITED IN DURATION TO ONE YEAR FROM THE DATE OF ORIGINAL SHIPMENT.**

CALIFORNIA PROPOSITION 65 WARNING
WARNING: This product contains chemicals known to the State of California to cause cancer and birth defects or other reproductive harm. (California law requires this warning to be given to customers in the State of California.)
 For more information: www.watts.com/prop65



Water Safety & Flow Control Products



USA: 815 Chestnut St., No. Andover, MA 01845-6098; www.watts.com

Canada: 5435 North Service Rd., Burlington, ONT. L7L 5H7; www.wattscanada.ca